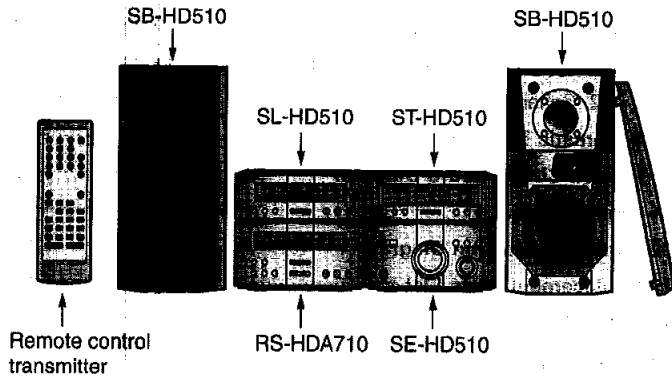


Service Manual

Amplifier



SE-HD510

Colour

(N).....Gold Type

Areas

E.....Spain and Sweden, etc..

EB.....Great Britain.

EG.....Europe.

EP.....East Europe and Russia.

System: SC-HD510

Because of unique interconnecting cables, when a compact requires service, send or bring in the entire system.

Specification

●Amplifier Section (Low frequency side)

Power output

DIN 1 kHz, THD 1%, 6Ω both channels
driven: 2x12W

RMS 1 kHz, THD 10%, 6Ω both channels
driven: 2x15W

Total harmonic distortion

Half power at 1 kHz 6Ω: 0.09%

Load impedance: 6Ω

S/N: 75dB

●Amplifier Section (High frequency side)

Power output

DIN 10kHz, THD 1%, 6Ω. both channels
driven: 2x5W

RMS 10kHz, THD 10%, 6Ω both channels
driven: 2x8W

Load impedance: 6Ω

S/N: 75dB

Headphones

Jack type: 3.5mm STEREO

Load impedance: 16-32Ω

●General

Power consumption 73W

STANDBY condition Normal:9W

Eco:0.8W

Power supply

[For (E,EG,EP) areas]: AC230V,50Hz

[For (EB) area]: AC230-240V,50Hz

Dimensions (WxHxD): 196x105.3x258.7mm

Weight: 3.3kg

Notes:

- 1.Design and specifications are subject to change without notice.
- 2.Dimensions and weight are approximate.
- 3.Total harmonic distortion is measured by the digital spectrum analyzer.

●System/SC-HD510:

Tuner:ST-HD510, Compact Disc Player: SL-HD510, **Amplifier: SE-HD510**, Cassette Deck: RS-HDA710, Speakers: SB-HD510
(Made in MAES.)

⚠ WARNING

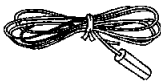
This service information is designed for experienced repair technicians only and is not designed for use by the general public. It does not contain warnings or cautions to advise non-technical individuals of potential dangers in attempting to service a product. Products powered by electricity should be serviced or repaired only by experienced professional technicians. Any attempt to service or repair the product or products dealt with in this service information by anyone else could result in serious injury or death.

CONTENTS

	Page		Page
1 Accessories	2	7 Power Source ON/OFF and Signal Check	8
2 Before Repair and Adjustment	3	8 Schematic Diagram Notes	8
3 About the Protection Circuitry	3	8.1. Type Illustration of IC's, Transistors and Diodes	8
4 Caution for AC Main Lead	4	8.2. Schematic Diagram Notes	9
5 Operating Instructions	5	9 Schematic Diagram	10
6 Operation Checks and Component Replacement Procedures	6	10 Printed Circuit Board Diagram	13
6.1. Checking for the power supply P.C.B. and speaker		11 Block Diagram	16
terminal P.C.B.	6	12 Wiring Connection Diagram	17
6.2. Checking for the operation P.C.B.	6	13 Replacement Parts List	18
6.3. Checking for the main P.C.B.	6	14 Cabinet Parts Location	21
6.4. Replacement for the power IC	7	15 Packaging	22

1 Accessories

- FM indoor antenna.....1pc.
(RSA0007)



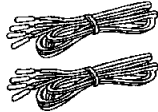
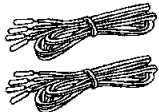
- AM loop antenna set.....1pc.
(RSA0022-J)



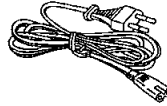
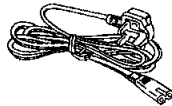
- Remote control transmitter.....1pc.
(RAK-HDA25WH)



- Speaker cord
(REE0499).....2pcs. (REE0853).....2pcs.
(Red · Black) (Gray · Black)



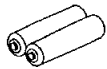
- AC power supply cord.....1pc.
For (EB) area: (RJA0053-2X)
For (E,EG,EP) areas: (RJA0019-X)



- Antenna plug adaptor.....1pc.
For (EB) area only
(SJP9009)



- Remote control batteries.....2pcs.
[R6/LR6(AA, UM-3)]
Note: These are available
on sales root.



2 Before Repair and Adjustment

1. Turn off the power supply. Using a 10Ω , 10W resistor, connect both ends of power supply capacitors (C102-105, 127) in order to discharge the voltage.
2. Before turning the power supply on, after completion of repair, slowly apply the primary voltage by using a power supply voltage controller to make sure that the consumed current at 50/60 Hz in NO SIGNAL mode should be shown below with respect to supply voltage 230 V/240 V.

Areas	(E) (EG) (EP)		(EB)	
Power supply voltage	AC 230V		AC 230-240V	
Consumed current	50 Hz	50-150 mA	50 Hz	50-150 mA

3 About the Protection Circuitry



The protection circuitry may have operated if either of the following conditions is noticed:

*No sound is heard when the power is supplied.


*Sound stops during a performance.

The functions of this circuitry is to prevent circuitry damage, for example, the positive and negative speaker connection wires are "shorted", or if speaker systems with an impedande less than the indicated rated impedance of this unit are used.

If this occurs, follow the procedure outlined below:

1. Press the STANDBY  /ON button, switch to STANDBY mode.
2. Determine the cause of the problem and correct it.
3. Press the STANDBY  /ON button once again, supply the power.

Note:

When the protection circuitry functions, the unit will not operate unless the STANDBY  /ON button is first switched STANDBY and then ON again.

4 Caution for AC Main Lead (For United Kingdom)

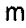

("EB" area code model only)

For your safety, please read the following text carefully.

This appliance is supplied with a moulded three pin mains plug for your safety and convenience.

A 5-ampere fuse is fitted in this plug.

Should the fuse need to be replaced please ensure that the replacement fuse has a rating of 5-ampere and that it is approved by ASTA or BSI to BS1362.

Check for the ASTA mark  or the BSI mark  on the body of the fuse.

If the plug contains a removable fuse cover you must ensure that it is refitted when the fuse is replaced.

If you lose the fuse cover the plug must not be used until a replacement cover is obtained.

A replacement fuse cover can be purchased from your local dealer.

CAUTION!

IF THE FITTED MOULDED PLUG IS UNSUITABLE FOR THE SOCKET OUTLET IN YOUR HOME THEN THE FUSE SHOULD BE REMOVED AND THE PLUG CUT OFF AND DISPOSED OF SAFELY.

THERE IS A DANGER OF SEVERE ELECTRICAL SHOCK IF THE CUT OFF PLUG IS INSERTED INTO ANY 13-AMPERE SOCKET.

If a new plug is to be fitted please observe the wiring code as shown below.

If in any doubt please consult a qualified electrician.

IMPORTANT

The wires in this mains lead are coloured in accordance with the following code:

Blue: Neutral, Brown: Live.

As these colours may not correspond with the coloured markings identifying the terminals in your plug, proceed as follows:

The wire which is coloured Blue must be connected to the terminal which is marked with the letter N or coloured Black or Blue.

The wire which is coloured Brown must be connected to the terminal which is marked with the letter L or coloured Brown or Red.

WARNING: DO NOT CONNECT EITHER WIRE TO THE EARTH TERMINAL WHICH IS MARKED WITH THE LETTER E, BY THE EARTH SYMBOL  OR COLOURED GREEN OR GREEN/YELLOW.

THIS PLUG IS NOT WATERPROOF - KEEP DRY.

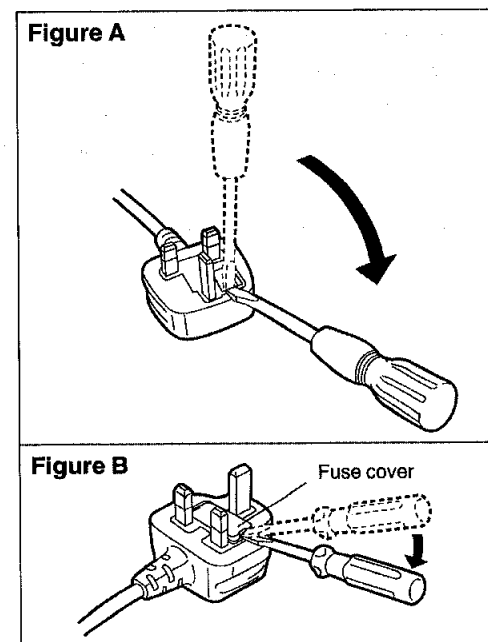
Before use

Remove the connector cover.

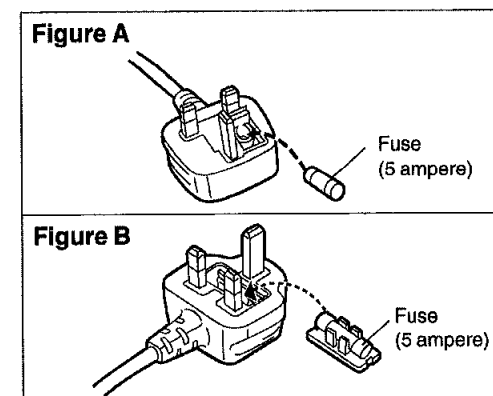
How to replace the fuse

The location of the fuse differ according to the type of AC mains plug (figures A and B). Confirm the AC mains plug fitted and follow the instructions below. Illustrations may differ from actual AC mains plug.

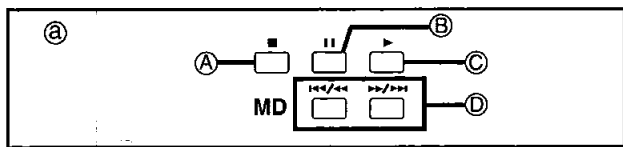
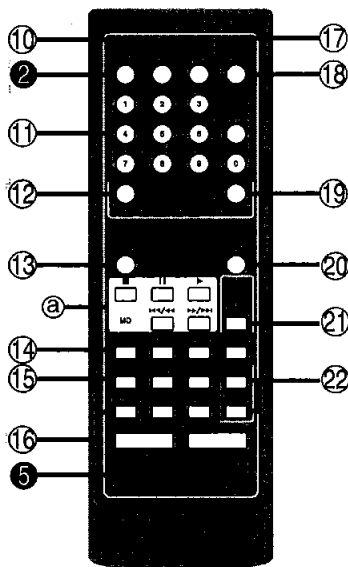
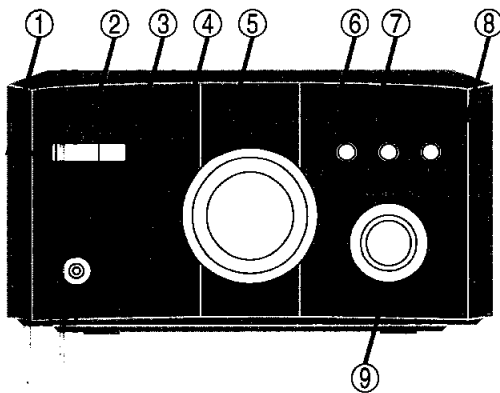
1. Open the fuse cover with a screwdriver.



2. Replace the fuse and close or attach the fuse cover.



5 Operating Instructions



Amplifier

- ① **Standby Indicator**
When the unit is connected to the AC mains supply, this indicator lights up in standby mode and goes out when the unit is turned on.
- ② **Standby/on switch (⏻/⏻)**
Press to switch the unit from on to standby mode or vice versa. In standby mode, the unit is still consuming a small amount of power.
- ③ **ECO mode button (MODE)**
- ④ **Headphone jack (PHONES)**
- ⑤ **Volume control (VOLUME)**
- ⑥ **Bass button (BLFS)**
- ⑦ **Input selector (INPUT SELECTOR ▾)**
- ⑧ **Input selector (INPUT SELECTOR ▲, -DVD DIRECT)**
- ⑨ **Fine tweeter control (FINE TWEETER CONTROL)**

Remote control

Buttons ② and ⑤ function in the same way as the controls on the main unit.

- ⑩ **Sleep timer button (SLEEP)**
- ⑪ **Numbered buttons**
- ⑫ **Program button (PROGRAM)**
- ⑬ **Random button (RANDOM)**
- ⑭ **Input select buttons (CD, TAPE, EXT/MD, TUNER)**
- ⑮ **Basic operating buttons**
Function changes according to the source.
- ⑯ **Muting button (MUTING)**
- ⑰ **Play timer button (⌚ PLAY)**
- ⑱ **Record timer button (⌚ REC)**
- ⑲ **Cancel button (CANCEL)**
- ⑳ **Repeat button (REPEAT)**
- ㉑ **FM mode button (AUTO/MONO)**
- ㉒ **Tuning buttons (TUNE ▲, TUNE ▼)**

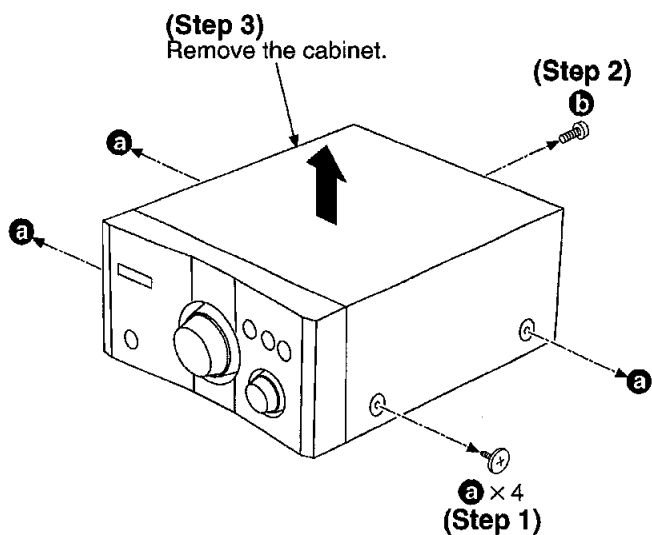
MD deck operations (when connected to MD deck SJ-HDA710 (sold separately)) ㉓

- ㉓ **A Stop button (■)**
- ㉓ **B Pause button (⏸)**
- ㉓ **C Play button (▶)**
- ㉓ **D Skip/search buttons (⏮/⏪, ⏩/⏭)**

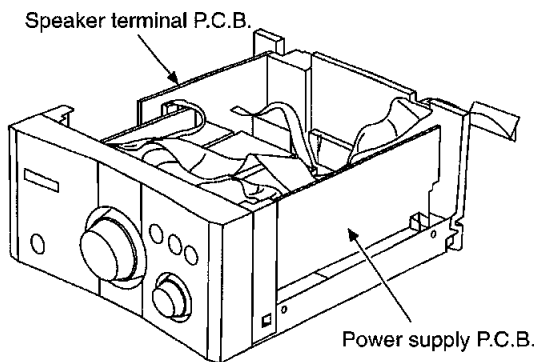
6 Operation Checks and Component Replacement Procedures

- This section describes procedures for checking the operation of the major printed circuit boards and replacing the main components.
- For reassembly after operation checks or replacement, reverse the respective procedures. Special reassembly procedures are described only when required.

6.1. Checking for the power supply P.C.B. and speaker terminal P.C.B.

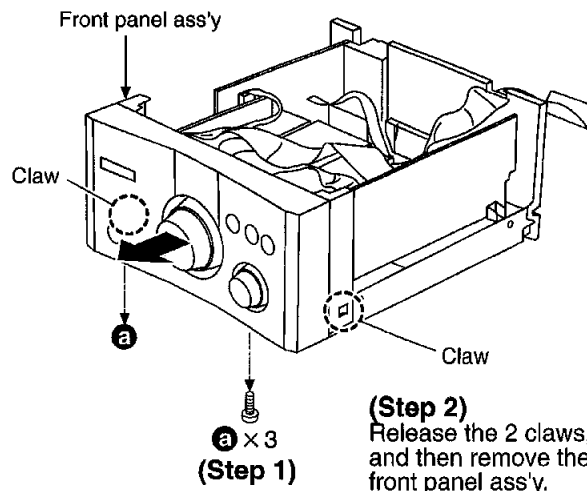


- Check the power supply P.C.B. and speaker terminal P.C.B. as shown below.

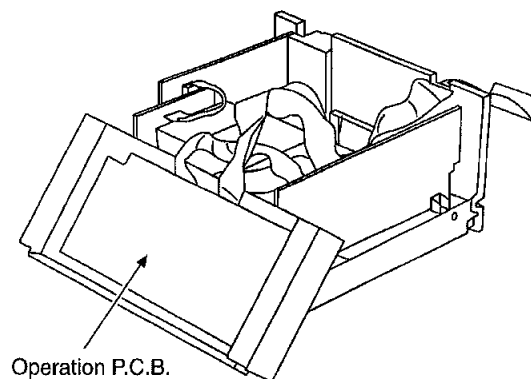


6.2. Checking for the operation P.C.B.

- Follow the (Step 1) - (Step 3) of item 6.1.

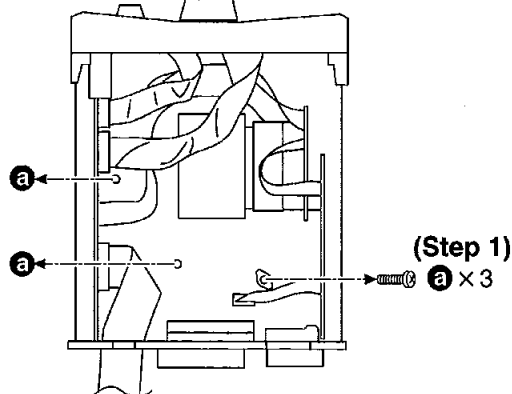


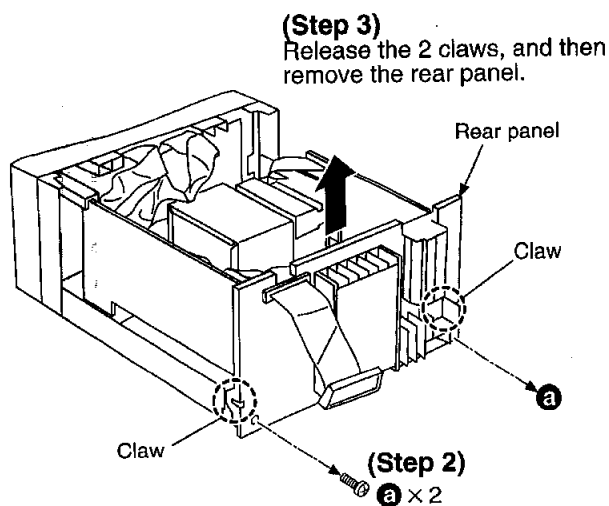
- Check the operation P.C.B. as shown below.



6.3. Checking for the main P.C.B.

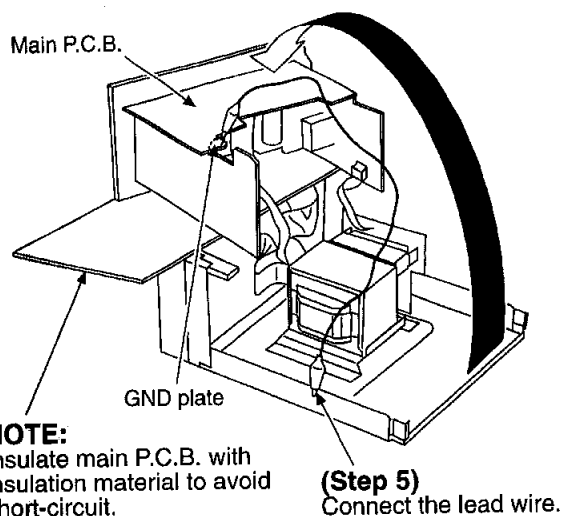
- Follow the (Step 1) - (Step 3) of item 6.1.





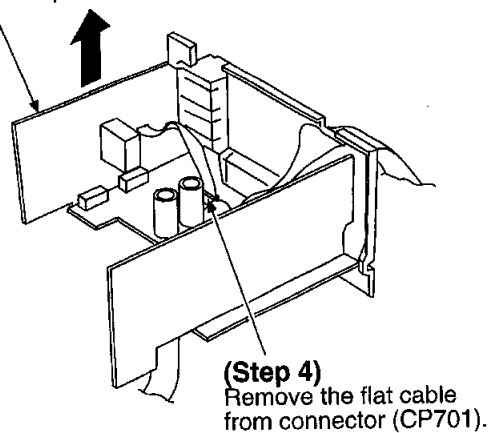
- Check the main P.C.B. as shown below.

(Step 4)
Turn the rear panel, power supply P.C.B. and main P.C.B., and then put on the them to front panel ass'y.

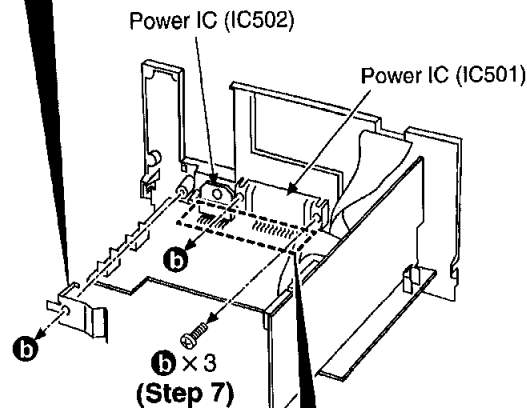
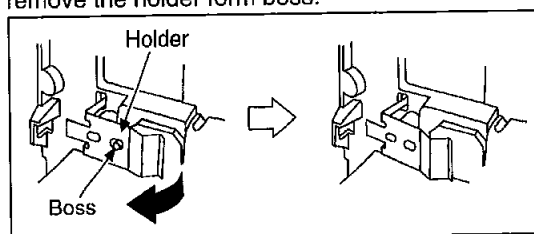


NOTE:
Insulate main P.C.B. with insulation material to avoid short-circuit.

(Step 5)
Lift up the speaker terminal P.C.B..



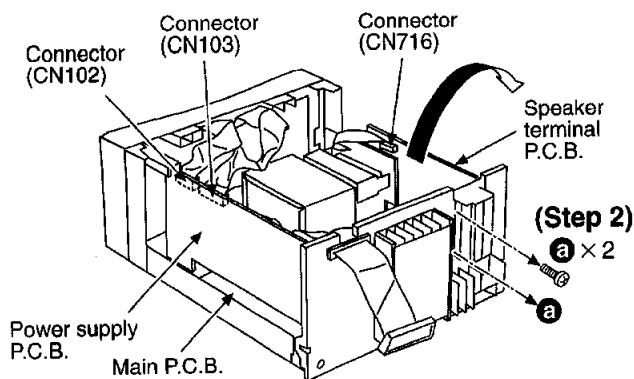
(Step 8)
Move the holder in the direction of arrow, and then remove the holder form boss.



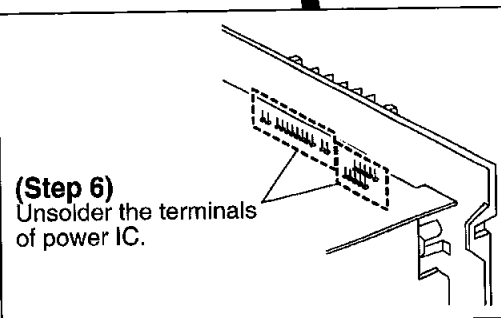
6.4. Replacement for the power IC

- Follow the **(Step 1)** - **(Step 3)** of item 6.1.
- Follow the **(Step 1)** - **(Step 3)** of item 6.3.

(Step 1)
Remove the 3 connectors.



(Step 3)
Remove the rear panel, power supply P.C.B. and main P.C.B. in the direction of arrow.



NOTE:
When mounting the power IC apply silicone compound (RFKX0002) to the rear side of power IC.

7 Power Source ON/OFF and Signal Check

To operate this unit SE-HD510 normally, it is necessary for connecting with the unit ST-HD510.

When operating the unit SE-HD510, be sure to connect the unit ST-HD510 by connection cable.

1. Connect with the Tuner (ST-HD510). (As shown in Fig. 1)
2. Connect the AC mains lead to Amplifier (SE-HD510). (As shown in Fig. 1)
3. Connect the speakers to speaker terminal. (As shown in

Fig. 1)

4. Turn on the power of the Amplifier (SE-HD510).
5. Press INPUT SELECTOR to select the external source (EXT/MD) of the Amplifier (SE-HD510).
6. Input a sound signal to external input terminal of Tuner (ST-HD510), and confirm to be outputted from the speaker. (Both "High" and "Low".)

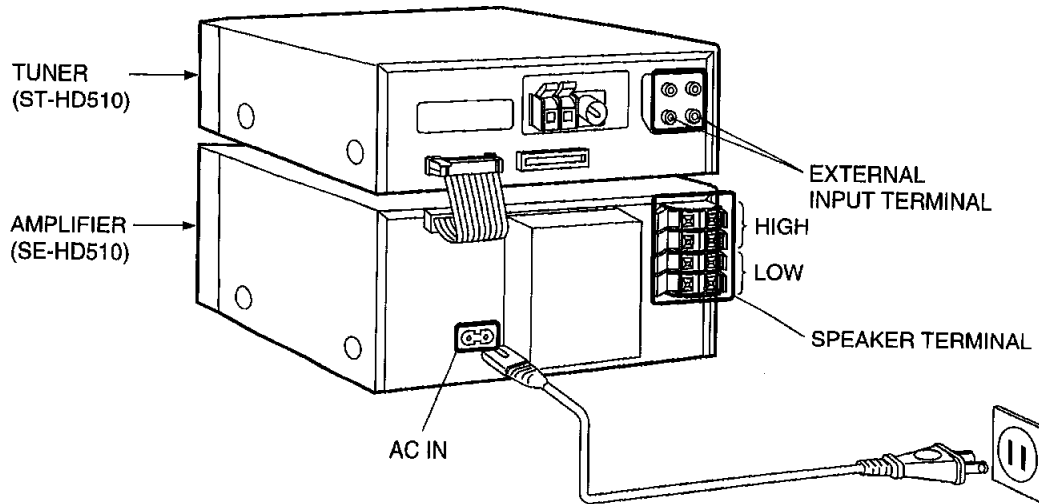


Fig. 1

8 Schematic Diagram Notes





8.1. Type Illustration of IC's, Transistors and Diodes

<p>M5218AFPE3</p>	<p>RSN35H1</p>	<p>LM1876TF</p>	<p>2SA1309ATA 2SC3311ATA UN4115TA</p>	<p>2SB621AQRSTA</p>
<p>2SC3940AQSTA</p>	<p>2SD2374PQAU</p>	<p>2SD2144STA</p>	<p>MA165TA</p>	<p>MA4051MTA MA4062MTA MTZJ7R5CTA</p>
<p>MA4110MTA MA4120MTA MA4150MTA MA4160MTA MA4240MTA</p>	<p>MA719TA</p>	<p>1N5402BM21 RL1N4003N02</p>	<p>SLR-325VC</p>	

8.2. Schematic Diagram Notes


- This schematic diagram may be modified at any time with the development of new technology.

Notes:

- **S301:** Power "STANDBY  / ON" ( / I) switch in "ON" position.
- **S302:** Eco mode (MODE) switch in "OFF" position.
- **S303:** Input selector (INPUT SELECTOR  , -DVD DIRECT) switch.
- **S308:** Input selector (INPUT SELECTOR ) switch .
- **S308:** BLFS (BLFS) switch.
- **VR301:** Volume V.R.
- **VR401:** Fine tweeter control V.R.
- Indicated voltage values are the standard values for the unit measured by the DC electronic circuit tester (high-impedance) with the chassis taken as standard. Therefore, there may exist some errors in the voltage values, depending on the internal impedance of the DC circuit tester.

No mark: Power ON

- Important safety notice:

Components identified by  mark have special characteristics important for safety.

Furthermore, special parts which have purposes of fire-retardant (resistors), high-quality sound (capacitors), low-noise (resistors), etc. are used.

When replacing any of components, be sure to use only manufacture's specified parts shown in the parts list.

Caution!

- Secondary trouble can be prevented by taking care during repair.
- IC and LSI are sensitive to static electricity.
- Cover the parts boxes made of plastics with aluminum foil.
- Ground the soldering iron.
- Put a conductive mat on the work table.
- Do not touch the legs of IC or LSI with the fingers directly.

• Voltage and signal lines

 : Positive voltage line

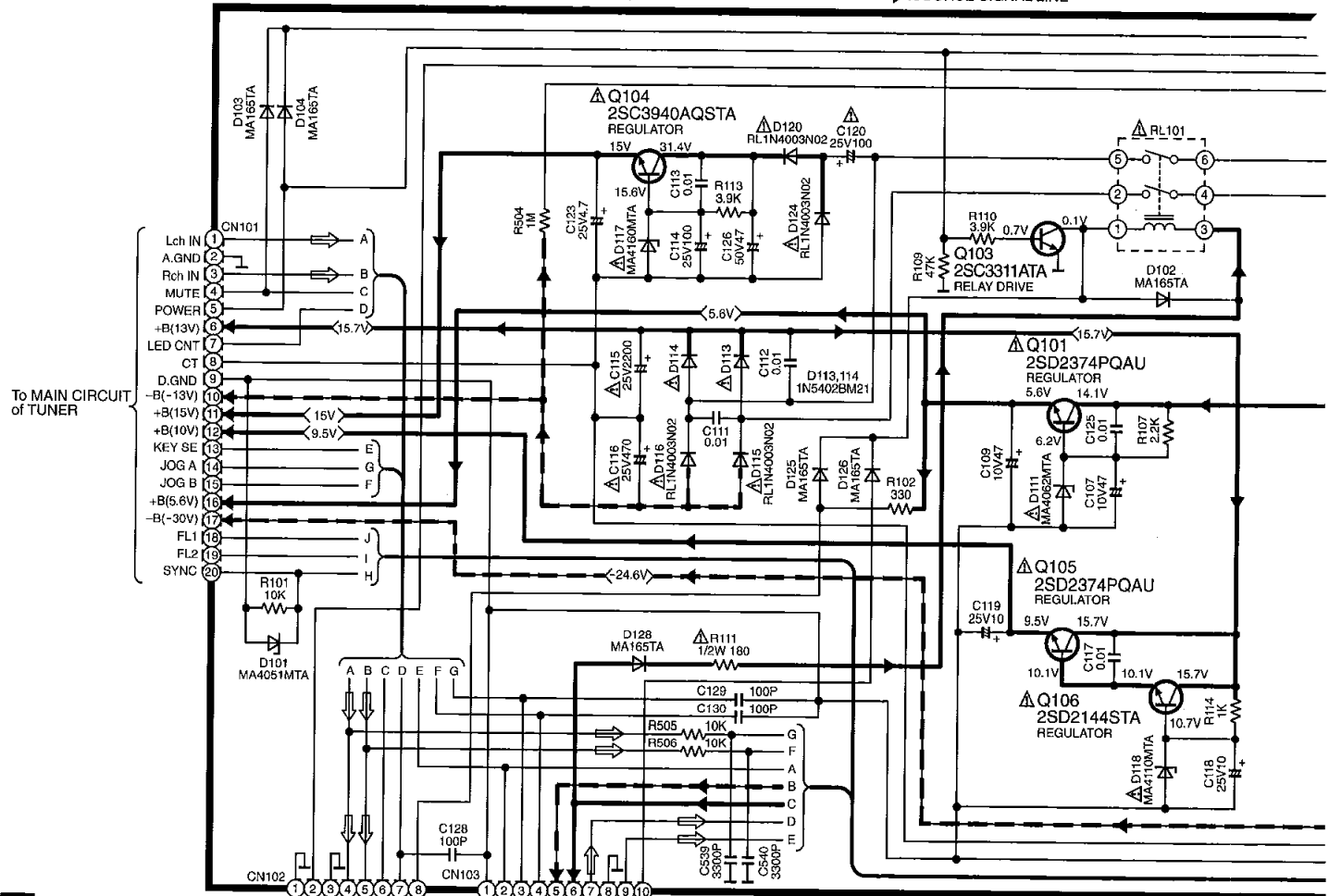
 : Negative voltage line

 : Source signal line

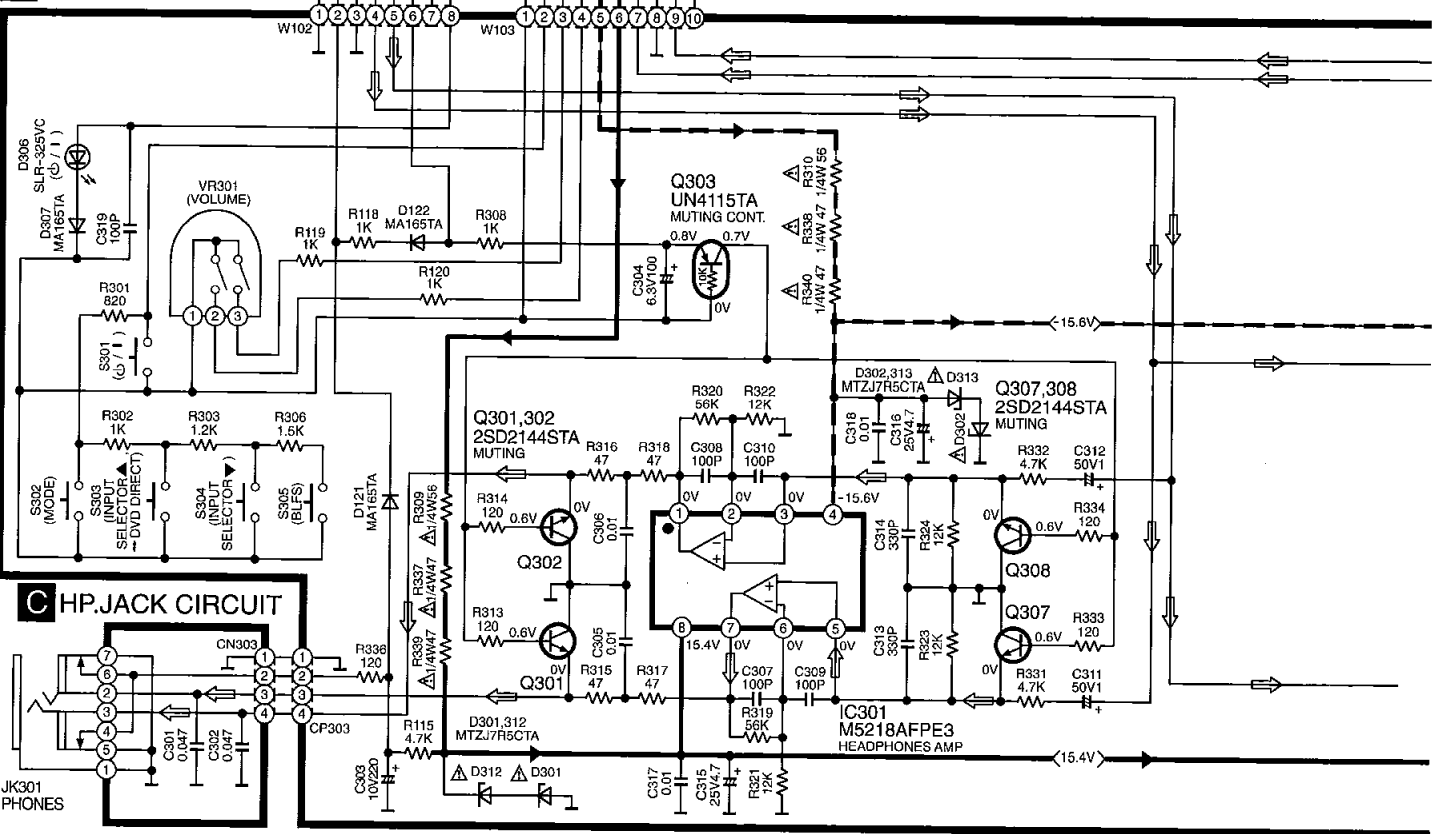
9 Schematic Diagram

A POWER SUPPLY CIRCUIT

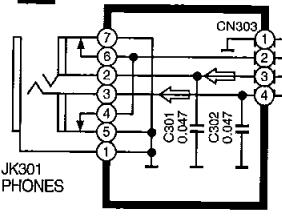
→ : POSITIVE VOLTAGE LINE
 ← : NEGATIVE VOLTAGE LINE
 ⇨ : SOURCE SIGNAL LINE



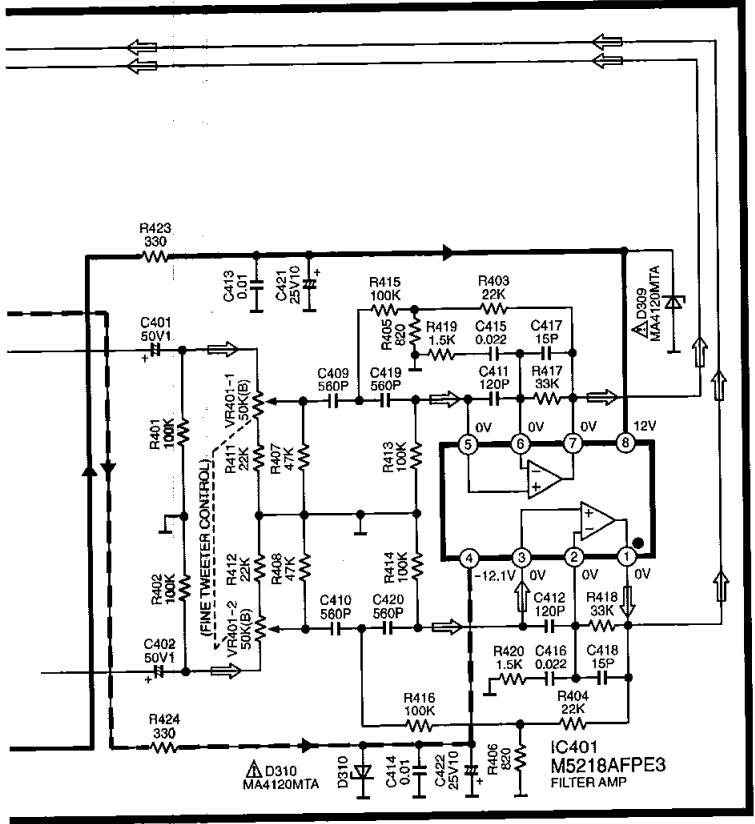
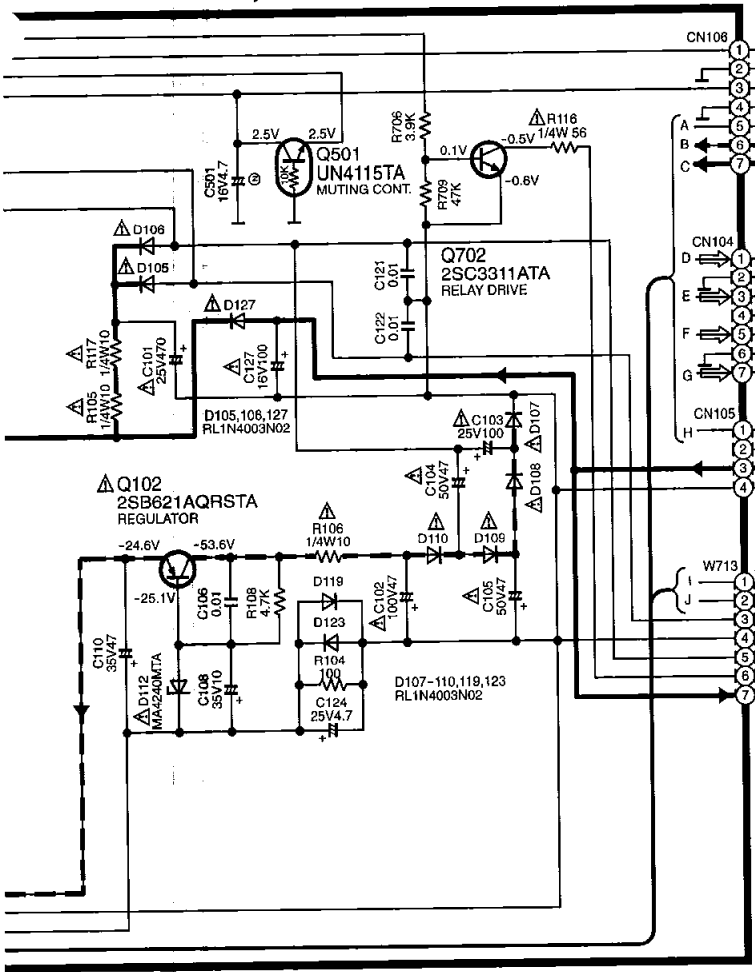
B OPERATION CIRCUIT



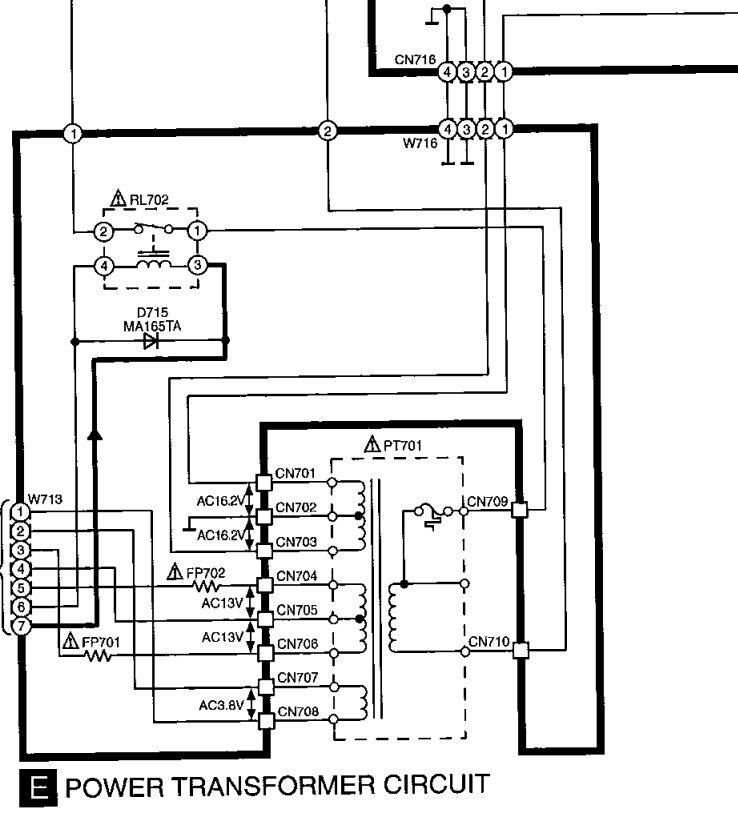
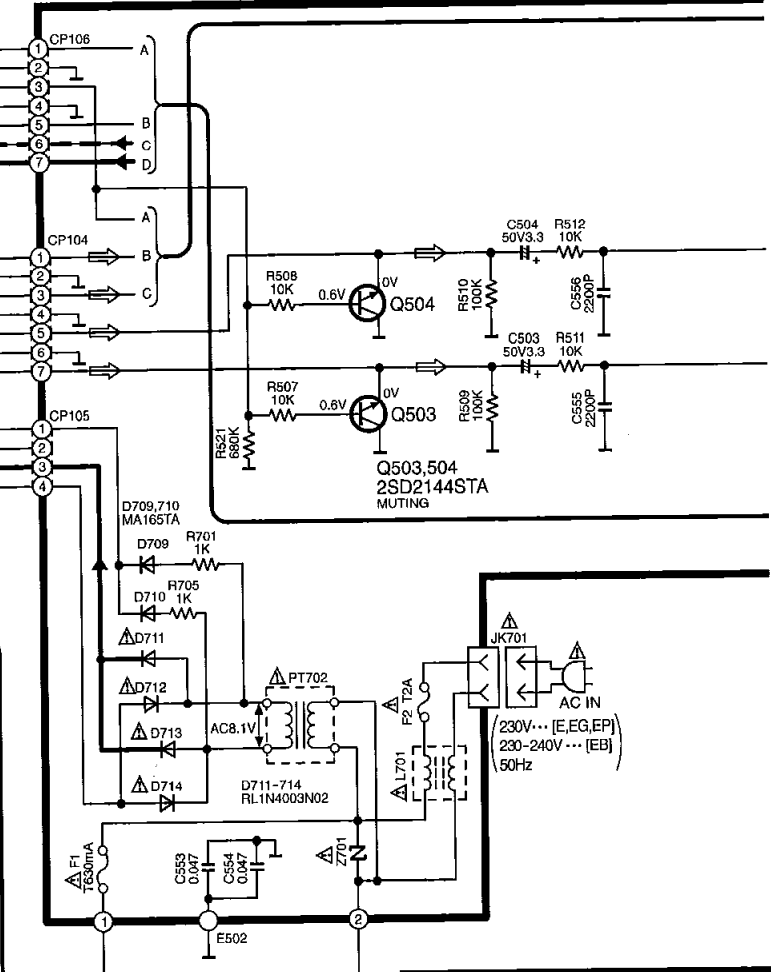
C HP.JACK CIRCUIT



→ : POSITIVE VOLTAGE LINE
← : NEGATIVE VOLTAGE LINE
⇨ : SOURCE SIGNAL LINE

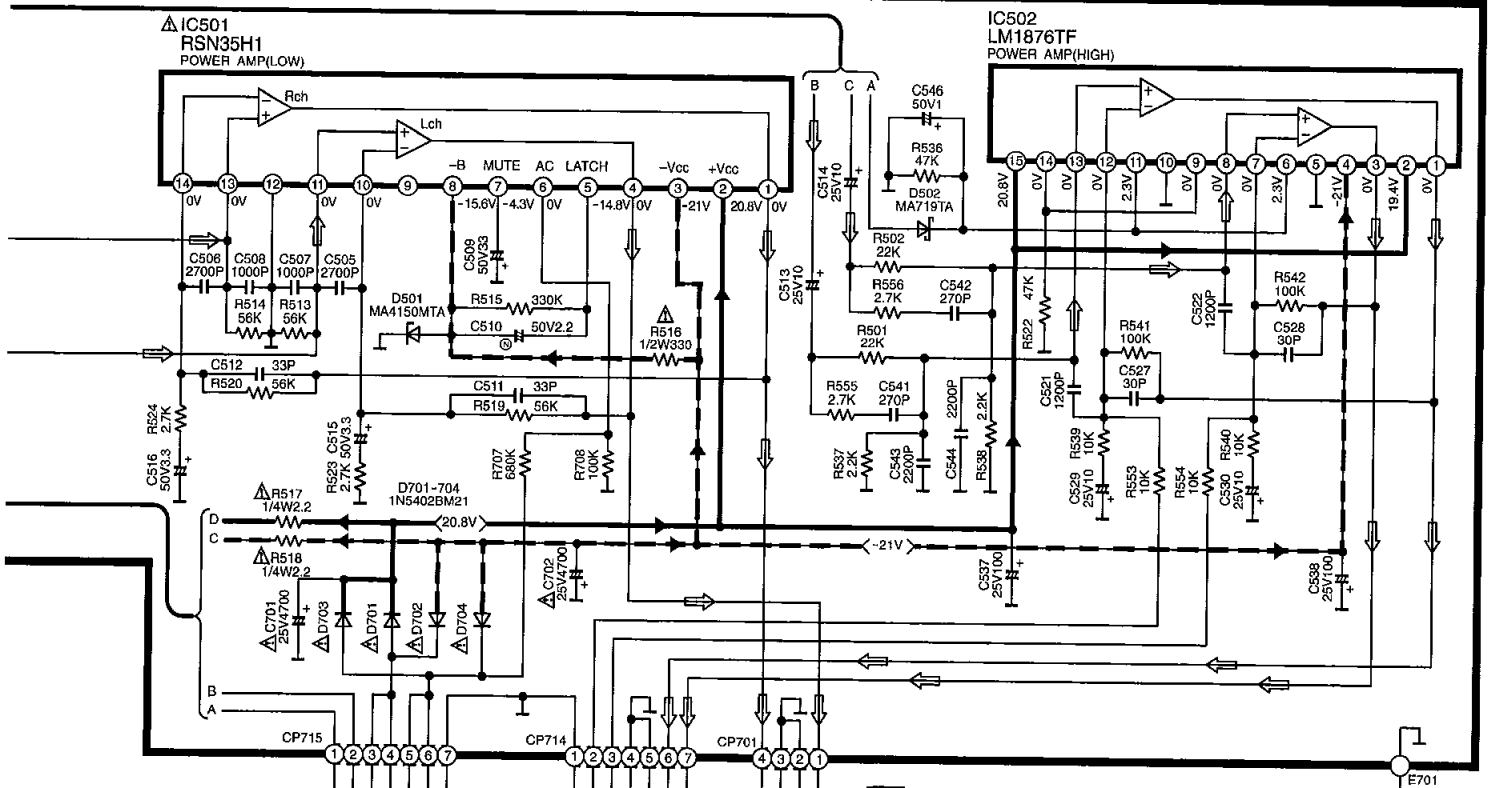


D MAIN CIRCUIT

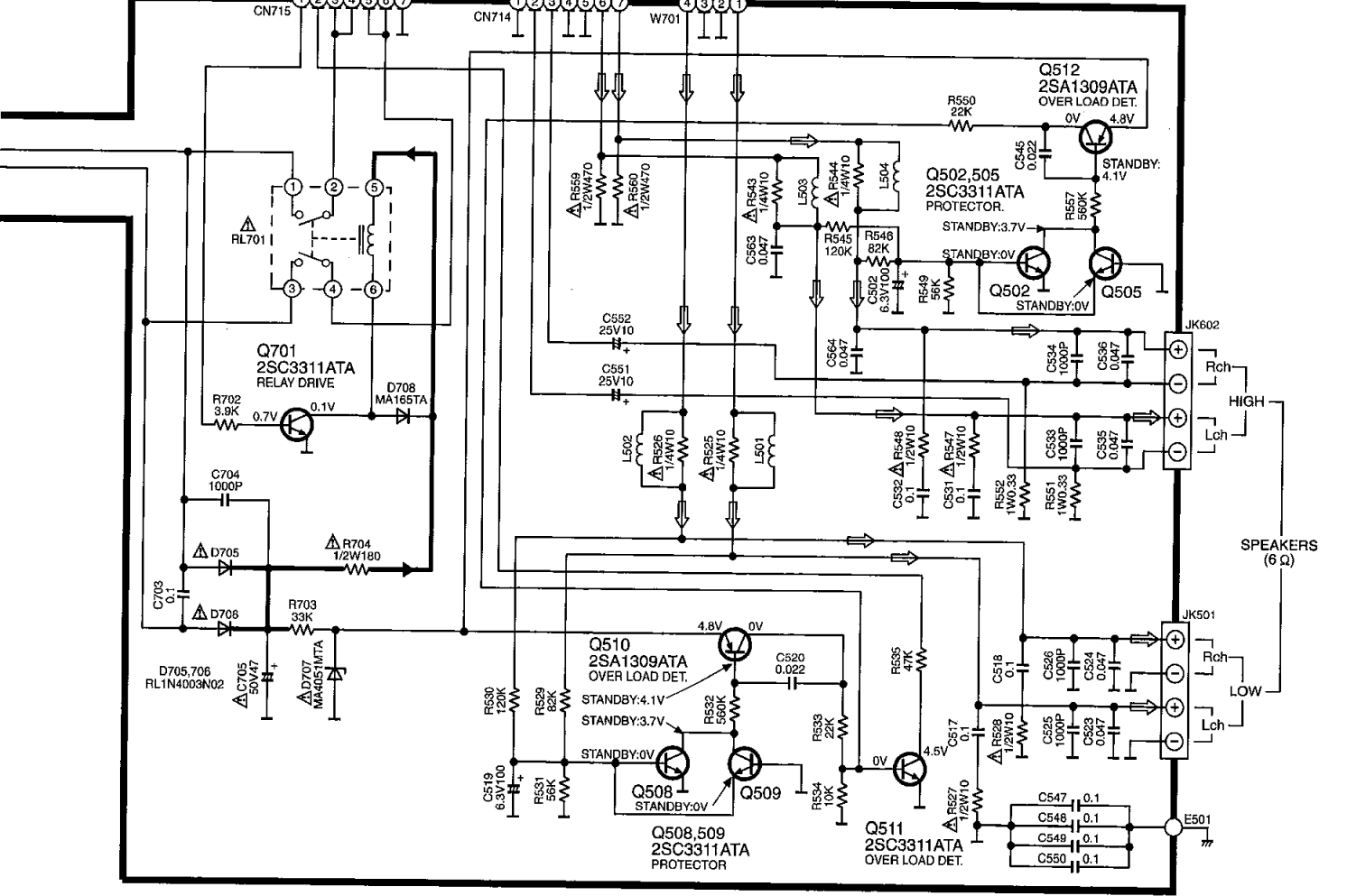


E POWER TRANSFORMER CIRCUIT

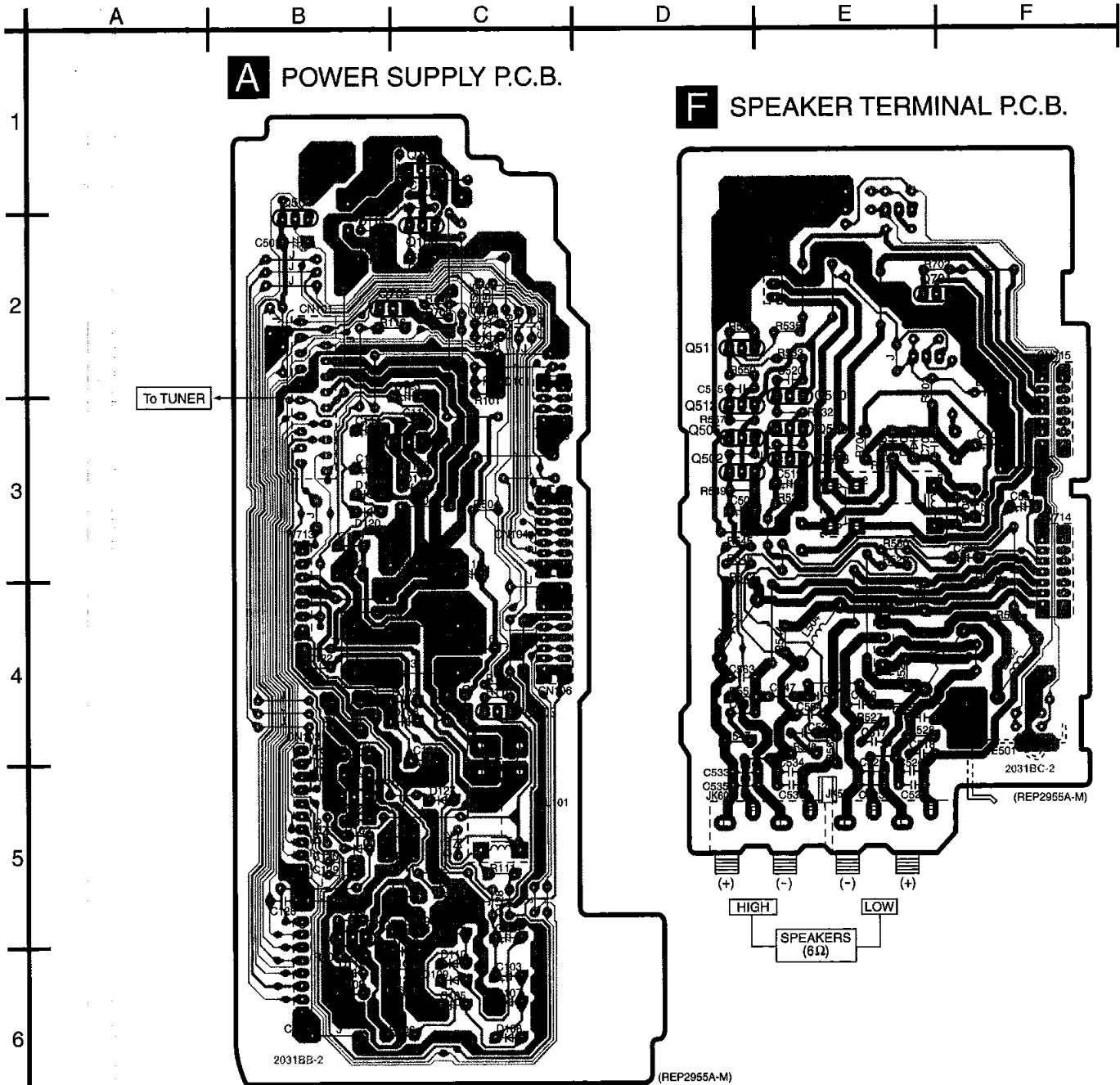
→ : POSITIVE VOLTAGE LINE - - - : NEGATIVE VOLTAGE LINE ⇨ : SOURCE SIGNAL LINE



F SPEAKER TERMINAL CIRCUIT



10 Printed Circuit Board Diagram



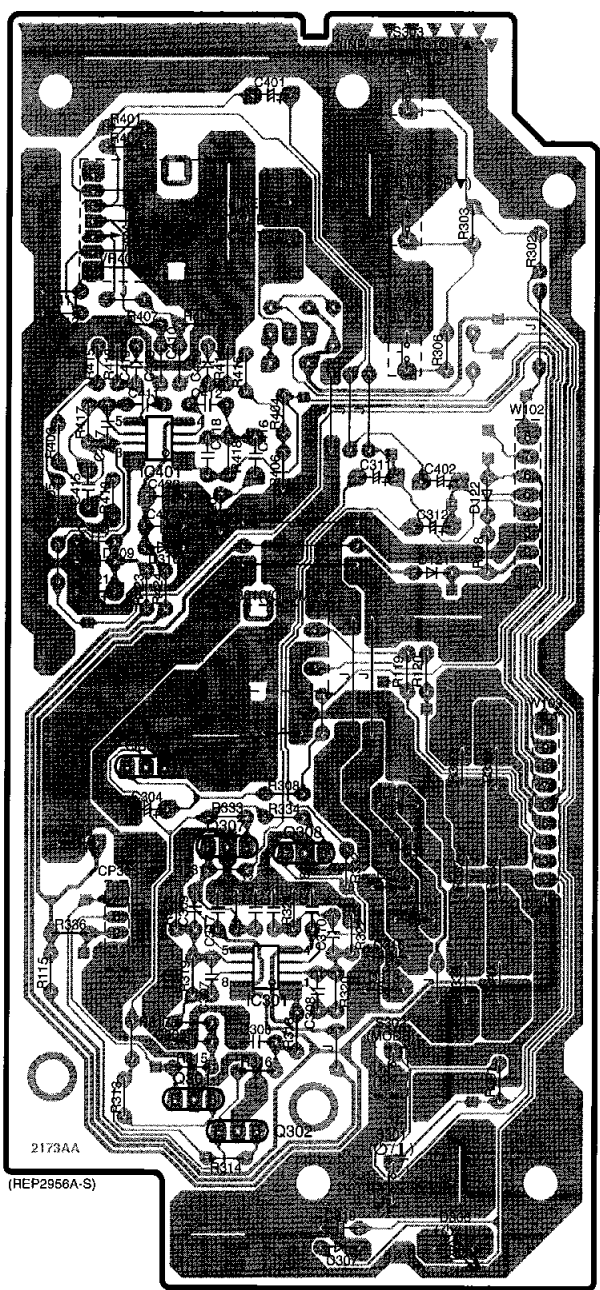
ELECTRICAL PARTS LOCATION

Ref. No.	Lo. No.	Ref. No.	Lo. No.	Ref. No.	Lo. No.	Ref. No.	Lo. No.	Ref. No.	Lo. No.	Ref. No.	Lo. No.	Ref. No.	Lo. No.	Ref. No.	Lo. No.	Ref. No.	Lo. No.
A POWER SUPPLY P.C.B.																	
Q101	5B	D104	2C	D115	4C	D128	5C	R104	6C	R117	4B	C106	5B	C117	1C	C128	5B
Q102	5B	D105	4C	D116	4C	RL101	5C	R105	4B	R504	3C	C107	5C	C118	2C	C129	5B
Q103	4C	D106	4C	D117	3C	CN101	2B	R106	6C	R505	2C	C108	6B	C119	2B	C130	5B
Q104	3C	D107	6C	D118	2B	CN102	6B	R107	5B	R506	2C	C109	4B	C120	3B	C501	2B
Q105	1C	D108	6C	D119	5C	CN103	5B	R108	6B	R706	2C	C110	5C	C121	4B	C539	2C
Q106	2C	D109	6C	D120	3B	CN104	3C	R109	4C	R709	2C	C111	4C	C122	4B	C540	2C
Q501	2B	D110	6C	D123	6C	CN105	3C	R110	4C	C101	4C	C112	3B	C123	2C		
Q702	2C	D111	5C	D124	3B	CN106	4C	R111	5C	C102	5C	C113	3C	C124	6C		
D101	2C	D112	6B	D125	5B	W713	3B	R113	3C	C103	6C	C114	3B	C125	5B		
D102	5C	D113	4C	D126	5B	R101	2C	R114	1C	C104	5C	C115	3C	C126	3B		
D103	2C	D114	4C	D127	5C	R102	5B	R116	2C	C105	6C	C116	3C	C127	5C		
F SPEAKER TERMINAL P.C.B.																	
Q502	3D	D706	3E	CN715	3F	R528	4E	R544	4E	R557	3D	C519	3E	C534	5E	C552	3F
Q505	3D	D707	2F	CN716	2E	R529	3E	R545	3D	R559	4F	C520	2E	C535	5D	C563	4D
Q508	3E	D708	3F	W701	4E	R530	3E	R546	3D	R560	4E	C523	5E	C536	5E	C564	4E
Q509	3E	L501	4F	JK501	5E	R531	3E	R547	4D	R702	2F	C524	5E	C545	2D	C703	3F
Q510	3E	L502	4F	JK602	5D	R532	3E	R548	4E	R703	2E	C525	5E	C547	4E	C704	3E
Q511	2D	L503	4D	E501	4F	R533	2E	R549	3D	R704	3E	C526	5E	C548	4E	C705	3F
Q512	3D	L504	4E	E502	4E	R534	2D	R550	2D	C502	3D	C531	4D	C549	4E		
Q701	2F	RL701	3E	R525	4E	R535	2E	R551	4D	C517	4E	C532	4E	C550	4E		
D705	3E	CN714	3F	R527	4E	R543	4D	R552	4E	C518	4E	C533	5D	C551	3F		

A B C D E F

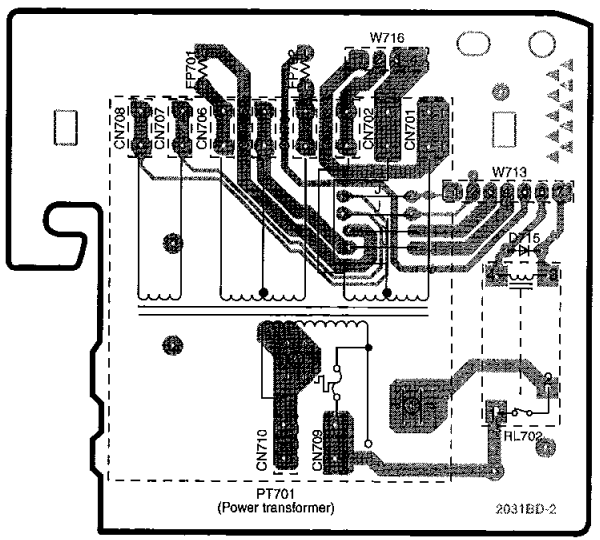
1
2
3
4
5
6
7
8

B OPERATION P.C.B.



2173AA
(REP2956A-S)

E POWER TRANSFORMER P.C.B.

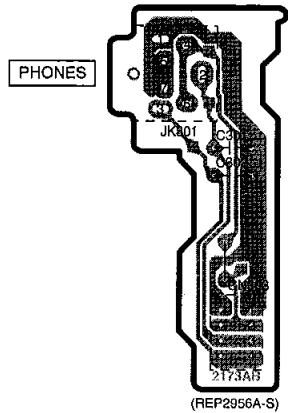


PT701
(Power transformer)

2031E-D-2

(REP2955A-M)

C HP.JACK P.C.B.



2173A-F
(REP2956A-S)

ELECTRICAL PARTS LOCATION

Ref. No.	Lo. No.	Ref. No.	Lo. No.	Ref. No.	Lo. No.	Ref. No.	Lo. No.	Ref. No.	Lo. No.	Ref. No.	Lo. No.	Ref. No.	Lo. No.
B OPERATION P.C.B.													
IC301	5B	VR301	4B	R303	2C	R331	5B	R411	2A	C308	5B	C412	3B
IC401	3B	VR401-1	2A	R306	2C	R332	5B	R412	2A	C309	5B	C413	3A
Q301	6B	VR401-2	2A	R308	4B	R333	5B	R413	3A	C310	5B	C414	3B
Q302	6B	S301	6C	R309	4C	R334	5B	R414	3B	C311	3C	C415	3A
Q303	4B	S302	6C	R310	4C	R336	5A	R415	3A	C312	3C	C416	3B
Q307	5B	S303	1C	R313	6A	R337	5C	R416	3B	C313	5B	C417	3A
Q308	5B	S304	2C	R314	6B	R338	5C	R417	3A	C314	5B	C418	3B
D121	3C	S305	2C	R315	6B	R339	5C	R418	3B	C315	5C	C419	3A
D122	3C	CP303	3C	R316	6B	R340	5C	R419	3A	C316	5C	C420	3B
D301	5C	W102	5A	R317	5B	R401	1A	R420	3B	C317	5B	C421	4A
D302	5C	W103	4C	R318	6B	R402	2A	R423	4B	C318	5B	C422	3B
D306	6C	R115	5A	R319	5B	R403	3A	R424	4B	C319	6B		
D307	6B	R118	3C	R320	5B	R404	3B	C303	5A	C401	1B		
D309	3A	R119	4C	R321	5B	R405	3A	C304	5B	C402	3C		
D310	3B	R120	4C	R322	5B	R406	3B	C305	6B	C409	3B		
D312	5C	R301	6C	R323	5B	R407	2B	C306	6B	C410	3B		
D313	5C	R302	2C	R324	5B	R408	2B	C307	5B	C411	3B		

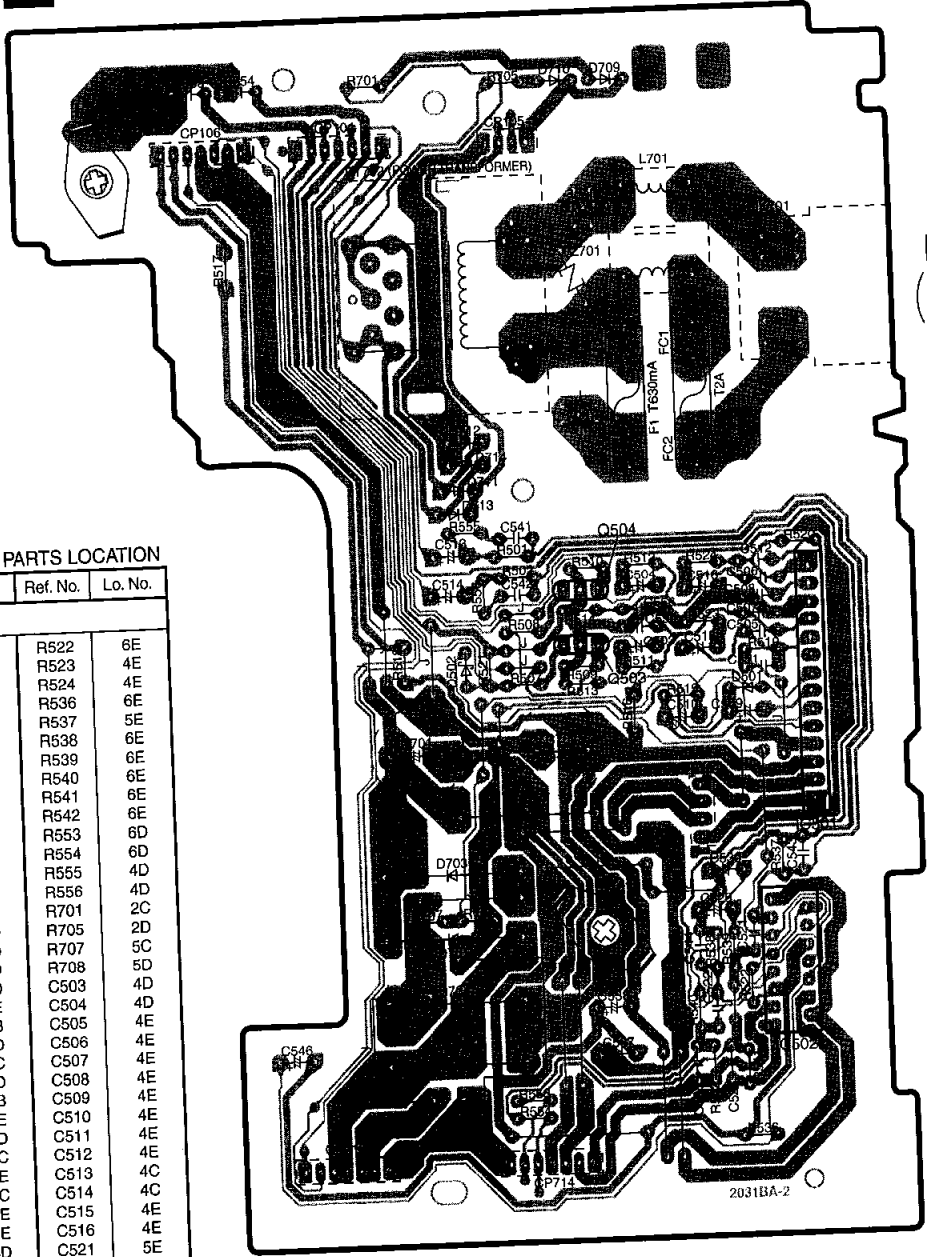
ELECTRICAL PARTS LOCATION

Ref. No.	Lo. No.	Ref. No.	Lo. No.
C HEADPHONES JACK P.C.B.			
CN303	6E	C301	5E
JK301	5E	C302	5E
E POWER TRANSFORMER			
D715	2F	CN705	2E
PT701	3E	CN706	2E
FP701	2E	CN707	2D
FP702	2E	CN708	2D
RL702	3F	CN709	3E
CN701	2F	CN710	3E
CN702	2E	W713	2F
CN703	2E	W716	2E
CN704	2E		

A B C D E F

1
2
3
4
5
6
7
8

D MAIN P.C.B.



AC IN
(230V ... [E,EG,EP])
(230-240V ... [EB])
50Hz

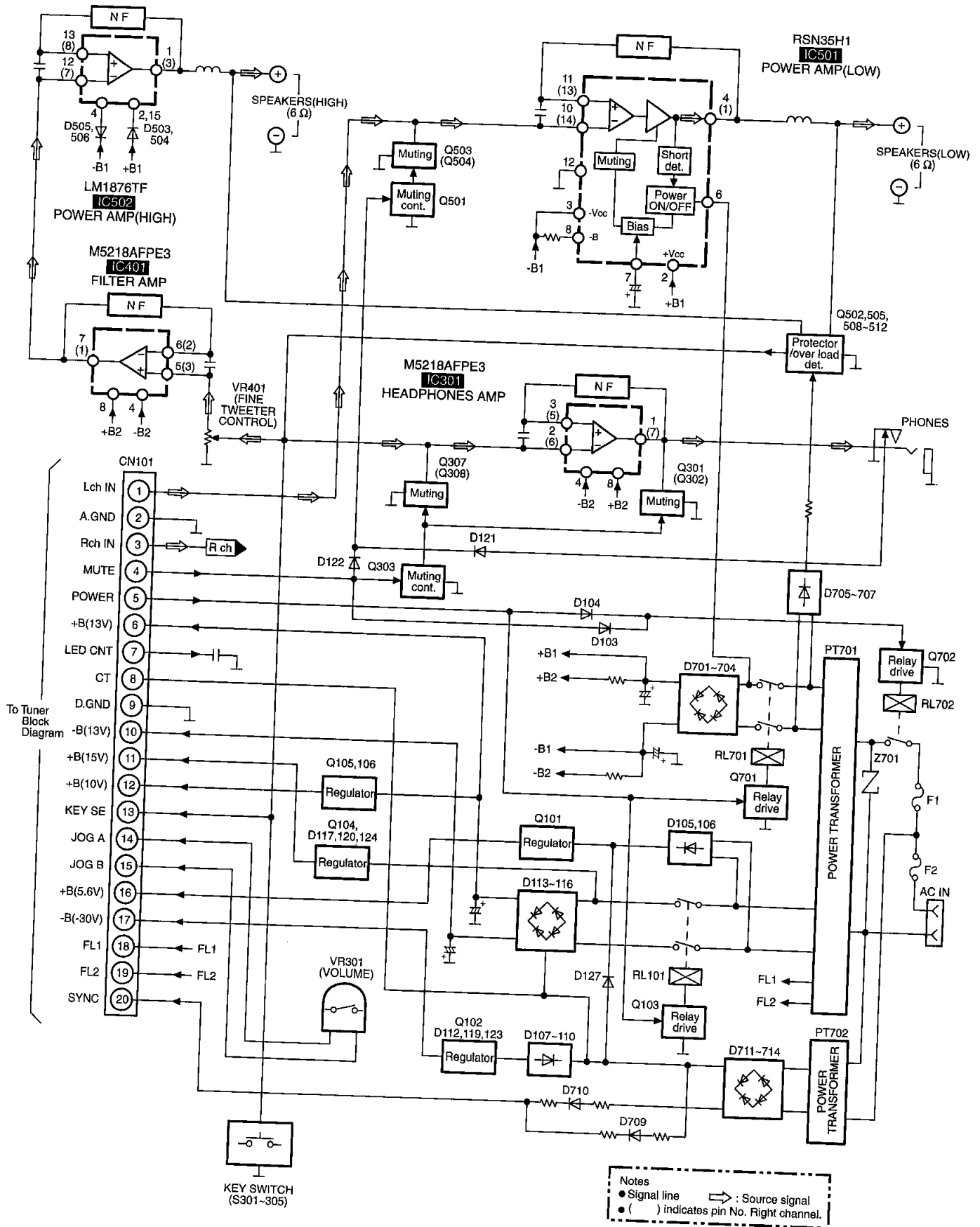
ELECTRICAL PARTS LOCATION

Ref. No.	Lo. No.	Ref. No.	Lo. No.
D MAIN P.C.B.			
IC501	4E	R522	6E
IC502	6E	R523	4E
Q503	4D	R524	4E
Q504	4D	R536	6E
D501	4E	R537	5E
D502	4D	R638	6E
D701	5C	R539	6E
D702	6C	R540	6E
D703	5C	R541	6E
D704	6C	R542	6E
D709	2D	R553	6D
D710	2D	R554	6D
D711	3D	R555	4D
D712	3D	R556	4D
D713	4D	R701	2C
D714	3D	R705	2D
L701	2D	R707	5C
Z701	2D	R708	5D
F1	3D	C503	4D
F2	3E	C504	4D
E502	2B	C505	4E
E701	5D	C506	4E
CP104	2C	C507	4E
CP105	2D	C508	4E
CP106	2B	C509	4E
CP701	5E	C510	4E
CP714	6D	C511	4E
CP715	6C	C512	4E
JK701	2E	C513	4C
PT702	2C	C514	4C
FC1	3E	C515	4E
FC2	3E	C516	4E
FC3	3D	C521	5E
FC4	3D	C522	6E
R501	4D	C527	6E
R502	4D	C528	6E
R507	4D	C529	5E
R508	4D	C530	5E
R509	4D	C537	6D
R510	4D	C538	6D
R511	4D	C541	4D
R512	4D	C542	4D
R513	4D	C543	5E
R514	4D	C544	6E
R515	4E	C546	6C
R516	4D	C553	2B
R517	2C	C554	2C
R518	4C	C555	4D
R519	4E	C556	4D
R520	4E	C701	5C
R521	4D	C702	5D

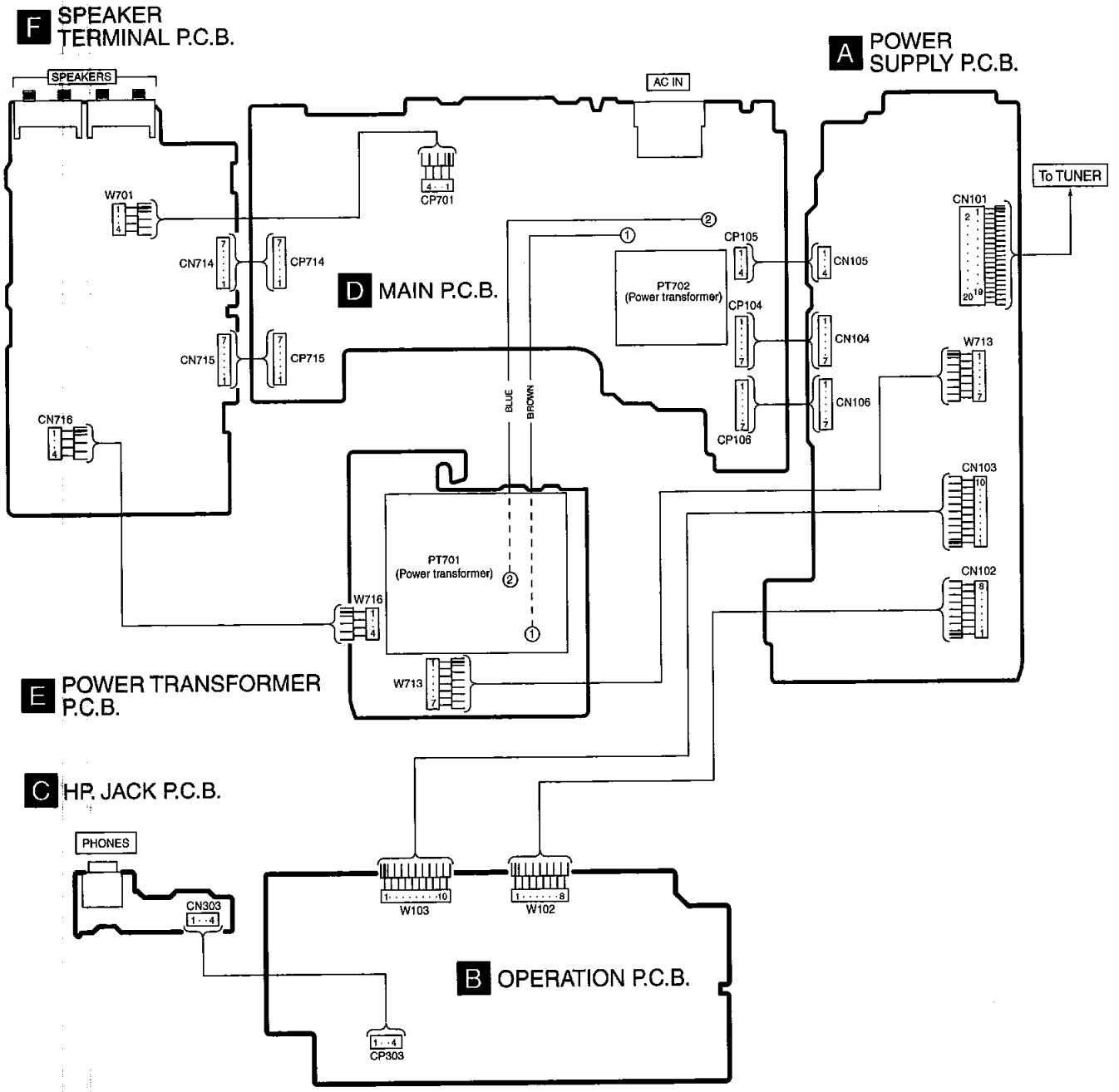
(REP2955A-M)

2031BA-2

11 Block Diagram



12 Wiring Connection Diagram



13 Replacement Parts List

Notes:

* Important safety notice:

Components identified by Δ mark have special characteristics important for safety.

Furthermore, special parts which have purposes of fire-retardant (resistors), high-quality sound (capacitors), low-noise (resistors), etc. are used.

When replacing any of components, be sure to use only manufacture's specified parts shown in the parts list.

* The parenthesized indications in the Remarks columns specify the areas.

Parts without these indications can be used for all areas.

* Remote Control Ass'y: Supply period for three years from terminal of production.

* Capacity values are in microfarads (μ F) unless specified otherwise, P=Pico-farads(pF), F=Farads (F)

* Resistance values are in ohms, unless specified otherwise, 1K=1,000 (OHM), 1M=1,000K (OHM)

* "<IA>, <IB>, <IC>, <ID>, <IE>" marks in Remarks indicate languages of instruction manuals.

[<IA> : Spanish / Swedish, <IB> : English, <IC> : German / Italian / French, <ID> : Netherlands / Danish, <IE> : Russian / Czeco / Polish]

*The markings (RTL) indicate that the Retention Time is limited for these items. After the discontinuation of these assemblies in production, the items will continue to be available for a specific period of time. The retention period of availability is dependant on the type of assembly, and in accordance with the laws governing part and product retention. After the end of this period, the assembly will no longer be available.

Ref. No.	Part No.	Part Name & Description	Pcs	Remarks
1	RHD30007-S	SCREW	4	
2	RKM0412-N	CABINET	1	
3	XTBS3+10JFZ1	SCREW	1	
4	REX0962	FLAT CABLE (20P)	1	
5	RMZ0339	ZNR COVER	1	
6	XTB3+8JFZ	SCREW	3	
7	RGN1777C-K	NAME PLATE	1	(E) (EG)
7	RGN1777D-K	NAME PLATE	1	(EB)
7	RGN1777E-K1	NAME PLATE	1	(EP)
8	RKA0114-K	FOOT	4	
8-1	RKA0083-K	CUSHION	4	
9	XTB3+5JFZ	SCREW	4	
10	RGG0173A-N	FRONT PANEL	1	
11	RGL0480-Q	STANDBY INDICATOR	1	
12	RGPO774A-N	SUB PANEL	1	
13	RGU1856-N	BUTTON,	1	
14	RGW0336-N	KNOB,	1	
15	RGW0337-N	KNOB,	1	
16	RHD26016	SCREW	1	
17	RHN90001	NUT	2	
18	XTBS26+8J	SCREW	7	
19	XTBS3+8JFZ1	SCREW	8	
20	XTB3+12FFZ	SCREW	1	
21	XTB3+20JFZ	SCREW	3	
22	XTB3+6JFZ	SCREW	4	
23	XTW3+15T	SCREW	3	
A1	RAK-HDA25WH	REMOTE CONT. TRANSMITTER	1	

Ref. No.	Part No.	Part Name & Description	Pcs	Remarks
A1-1	RKK0123-K1	BATT. COVER (REMOTE CONT.)	1	
A2	REE0499	SPEAKER CORD	2	
A3	REE0853	SPEAKER CORD	2	
A4	RJA0019-X	AC POWER SUPPLY CORD	1	(E) (EG) (EP) Δ
A4	RJA0053-2X	AC POWER SUPPLY CORD	1	(EB) Δ
A5	RQA0117	WARRANTY CARD	1	
A6	RQCB0169	SERVICENTER LIST	1	
A7	RQT5311-E	INSTRUCTION MANUAL	1	(E) <IA>
A7	RQT5296-B	INSTRUCTION MANUAL	1	(EB) (EP) <IB>
A7	RQT5294-D	INSTRUCTION MANUAL	1	(EG) <IC>
A7	RQT5295-H	INSTRUCTION MANUAL	1	(EG) <ID>
A7	RQT5297-R	INSTRUCTION MANUAL	1	(EP) <IE>
A8	RSA0007	FM INDOOR ANTENNA	1	
A9	RSA0022-J	AM LOOP ANTENNA	1	
A10	RQCA0726	QUICK SET-UP GUIDE	1	(EB)
A11	SJP9009	AC PLUG ADAPTOR	1	(EB) Δ
C101	RCE1EM471BV	25V 470U	1	Δ
C102	ECA2AM470	100V 47U	1	Δ
C103	ECA1EAM101XB	25V 100U	1	Δ
C104,05	ECA1HM470	50V 47U	2	Δ
C106	ECBT1H103KB5	50V 0.01U	1	
C107	RCE1AKA470BG	10V 47U	1	
C108	RCE1VKA100BG	35V 10U	1	
C109	RCE1AKA470BG	10V 47U	1	
C110	ECEA1VKS470	35V 47U	1	
C111,12	ECKR1H103ZF5	50V 0.01U	2	
C113	ECBT1H103KB5	50V 0.01U	1	
C114	ECA1EAM101XB	25V 100U	1	
C115	ECA1EM222	25V 2200U	1	Δ
C116	RCE1EM471BV	25V 470U	1	Δ
C117	ECBT1H103KB5	50V 0.01U	1	
C118,19	ECA1EAK100XB	25V 10U	2	
C120	ECA1EAM101XB	25V 100U	1	Δ
C121,22	ECBT1H103KB5	50V 0.01U	2	
C123,24	ECEA1EKS4R7	25V 4.7U	2	
C125	ECBT1H103KB5	50V 0.01U	1	
C126	ECA1HM470	50V 47U	1	
C127	ECEA1CKS101	16V 100U	1	Δ
C128-30	ECBT1H101KB5	50V 100P	3	
C301,02	ECBT1H473ZF5	50V 0.047U	2	
C303	ECEA1AKS221	10V 220U	1	
C304	ECEA0JKS101	6.3V 100U	1	
C305,06	ECBT1E103ZF	25V 0.01U	2	
C307-10	ECBT1H101KB5	50V 100P	4	
C311,12	ECA1HAK010XI	50V 1U	2	
C313,14	ECBT1H331KB5	50V 330P	2	
C315,16	ECEA1EKS4R7	25V 4.7U	2	
C317,18	ECBT1E103ZF	25V 0.01U	2	
C319	ECBT1H101KB5	50V 100P	1	
C401,02	ECA1HAK010XI	50V 1U	2	
C409,10	ECBT1H561KB5	50V 560P	2	
C411,12	ECBT1H121KB5	50V 120P	2	
C413,14	ECBT1E103ZF	25V 0.01U	2	
C415,16	ECQB1H223JF3	50V 0.022U	2	
C417,18	ECBT1H150JCS	50V 15P	2	
C419,20	ECBT1H561KB5	50V 560P	2	
C421,22	ECA1EAK100XB	25V 10U	2	
C501	ECEA1CKN4R7	16V 4.7U	1	
C502	ECEA0JKS101	6.3V 100U	1	
C503,04	ECA1HAK3R3XB	50V 3.3U	2	
C505,06	ECBT1C272KR5	16V 2700P	2	
C507,08	ECBT1H102KB5	50V 1000P	2	
C509	ECEA1HKA330B	50V 33U	1	
C510	ECEA1HSN2R2	50V 2.2U	1	
C511,12	ECBT1H330J5	50V 33P	2	

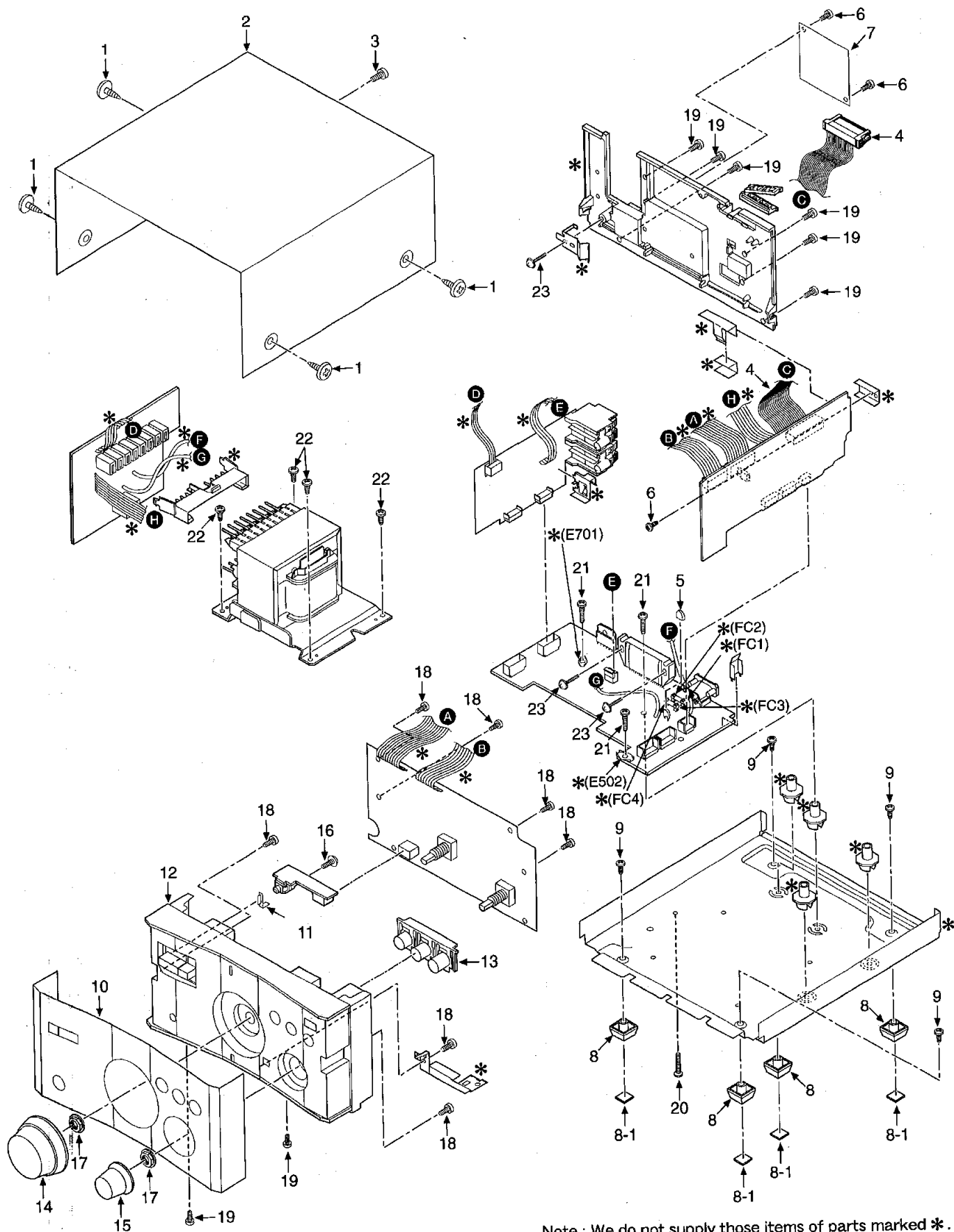
Ref. No.	Part No.	Part Name & Description	Pcs	Remarks
C513,14	ECA1EAK100XB	25V 10U	2	
C515,16	ECA1HAK3R3XB	50V 3.3U	2	
C517,18	ECBT1H104ZF5	50V 0.1U	2	
C519	ECEA0JKS101	6.3V 100U	1	
C520	ECBT1E223ZF	25V 0.022U	1	
C521,22	ECBT1C122KR5	16V 1200P	2	
C523,24	ECBT1H473ZF5	50V 0.047U	2	
C525,26	ECBT1H102KB5	50V 1000P	2	
C527,28	ECBT1H300J5	50V 30P	2	
C529,30	ECA1EAK100XB	25V 10U	2	
C531,32	ECBT1H104ZF5	50V 0.1U	2	
C533,34	ECBT1H102KB5	50V 1000P	2	
C535,36	ECBT1H473ZF5	50V 0.047U	2	
C537,38	ECA1EAM101XB	25V 100U	2	
C539,40	ECBT1C332KR5	16V 3300P	2	
C541,42	ECBT1H271KB5	50V 270P	2	
C543,44	ECBT1C222KR5	16V 2200P	2	
C545	ECBT1E223ZF	25V 0.022U	1	
C546	ECEA1HKS010	50V 1U	1	
C547-50	ECBT1H104ZF5	50V 0.1U	4	
C551,52	ECA1EAK100XB	25V 10U	2	
C553,54	ECBT1H473ZF5	50V 0.047U	2	
C555,56	ECBT1C222KR5	16V 2200P	2	
C563,64	ECBT1H473ZF5	50V 0.047U	2	
C701,02	ECA1EAM472XE	25V 4700U	2	△
C703	ECQE1104KF3	100V 0.1U	1	
C704	ECKR2H102ZF5	500V 1000P	1	
C705	ECA1HM470	50V 47U	1	△
CN101	RJS2A5520-1	CONNECTOR (20P)	1	
CN102	RJS8T6ZA	CONNECTOR (8P)	1	
CN103	RJS10T6ZA	CONNECTOR (10P)	1	
CN104	RJU057W007	CONNECTOR (7P)	1	
CN105	RJU057W004	CONNECTOR (4P)	1	
CN106	RJU057W007	CONNECTOR (7P)	1	
CN303	RJU057W004	CONNECTOR (4P)	1	
CN701-10	RJS1A1101T1	CONNECTOR (1P)	10	
CN714,15	RJU057W007	CONNECTOR (7P)	2	
CN716	RJS4T6ZA	CONNECTOR (4P)	1	
CP104	RJT057W007-1	CONNECTOR (7P)	1	
CP105	RJT057W004-1	CONNECTOR (4P)	1	
CP106	RJT057W007-1	CONNECTOR (7P)	1	
CP303	RJT057W004-1	CONNECTOR (4P)	1	
CP701	RJS1A6604	CONNECTOR (4P)	1	
CP714,15	RJT057W007-1	CONNECTOR (7P)	2	
D101	MA4051M	DIODE	1	
D102-04	MA165	DIODE	3	
D105-10	RL1N4003N02	DIODE	6	△
D111	MA4062M	DIODE	1	△
D112	MA4240H	DIODE	1	△
D113,14	1N5402BF	DIODE	2	△
D115,16	RL1N4003N02	DIODE	2	△
D117	MA4160M	DIODE	1	△
D118	MA4110M	DIODE	1	△
D119,20	RL1N4003N02	DIODE	2	△
D121,22	MA165	DIODE	2	
D123,24	RL1N4003N02	DIODE	2	△
D125,26	MA165	DIODE	2	
D127	RL1N4003N02	DIODE	1	△
D128	MA165	DIODE	1	
D301,02	MTZJ7R5CTA	DIODE	2	△
D306	SLR-325VC	LED	1	
D307	MA165	DIODE	1	
D309,10	MA4120M	DIODE	2	△
D312,13	MTZJ7R5CTA	DIODE	2	△
D501	MA4150M	DIODE	1	
D502	MA719TA	DIODE	1	
D701-04	1N5402BF	DIODE	4	△
D705,06	RL1N4003N02	DIODE	2	△
D707	MA4051M	DIODE	1	△
D708-10	MA165	DIODE	3	
D711-14	RL1N4003N02	DIODE	4	△

Ref. No.	Part No.	Part Name & Description	Pcs	Remarks
D715	MA165	DIODE	1	
F1	XBA2C06TB0	FUSE, T0.63A	1	△
F2	XBA2C20TB0	FUSE, T2A	1	△
FP701,02	RSFMB40KT-L	FUSE PROTECTOR	2	△
IC301	M5218AFPE3	IC	1	
IC401	M5218AFPE3	IC	1	
IC501	RSN35H1-P	IC	1	△
IC502	LM1876TF	IC	1	
JK301	RJJ37TN01-2C	JACK, HEADPHONES	1	
JK501	RJR0054E	JACK, SPEAKER	1	
JK602	RJR0054H	JACK, SPEAKER	1	
JK701	SJS9236	JACK, AC INLET	1	△
L501-04	SLQY07G-40	COIL, CHOKE	4	
L701	RLQZ371	COIL	1	△
P1	RPF0139	PROTECTION BAG (F.B.)	1	
P2	RPG4717	PACKING CASE (AMPLIFIER)	1	
P3	RPN1265	CUSHION (AMPLIFIER)	1	
P4	RPG4754	PACKING CASE (SYSTEM)	1	(E)
P4	RPG4720	PACKING CASE (SYSTEM)	1	(EB)
P4	RPG4719	PACKING CASE (SYSTEM)	1	(EG)
P4	RPG4721	PACKING CASE (SYSTEM)	1	(EP)
P5	RPQ1030	PAD	1	
P6	SPP740-1	PROTECTION BAG	1	
PCB1	REP2955A-M	MAIN P.C.B.	1	(RTL)
PCB2	REP2956A-S	OPERATION P.C.B.	1	(RTL)
PT701	RTP2M5B019	POWER TRANSFORMER	1	(E) △
PT701	RTP2M5E021	POWER TRANSFORMER	1	(E) (EG) (EP) △
PT702	RTP1I3E001	POWER TRANSFORMER	1	△
Q101	2SD2374PQAU	TRANSISTOR	1	△
Q102	2SB621A-R	TRANSISTOR	1	△
Q103	2SC3311ATA	TRANSISTOR	1	
Q104	2SC3940AQSTA	TRANSISTOR	1	△
Q105	2SD2374PQAU	TRANSISTOR	1	△
Q106	2SC3327A	TRANSISTOR	1	△
Q301,02	2SC3327A	TRANSISTOR	2	
Q303	UN4115	TRANSISTOR	1	
Q307,08	2SC3327A	TRANSISTOR	2	
Q501	UN4115	TRANSISTOR	1	
Q502	2SC3311ATA	TRANSISTOR	1	
Q503,04	2SC3327A	TRANSISTOR	2	
Q505	2SC3311ATA	TRANSISTOR	1	
Q508,09	2SC3311ATA	TRANSISTOR	2	
Q510	2SA1309ATA	TRANSISTOR	1	
Q511	2SC3311ATA	TRANSISTOR	1	
Q512	2SA1309ATA	TRANSISTOR	1	
Q701,02	2SC3311ATA	TRANSISTOR	2	
R101	ERDS2FJ103	1/4W 10K	1	
R102	ERDS2FJ331	1/4W 330	1	
R104	ERDS2FJ101	1/4W 100	1	
R105,06	ERDS2FJ100	1/4W 10	2	△
R107	ERDS2FJ222	1/4W 2.2K	1	
R108	ERDS2FJ472	1/4W 4.7K	1	
R109	ERDS2FJ473	1/4W 47K	1	
R110	ERDS2FJ392	1/4W 3.9K	1	
R111	ERDS1FJ181	1/2W 180	1	△
R113	ERDS2FJ392	1/4W 3.9K	1	
R114	ERDS2FJ102	1/4W 1K	1	
R115	ERDS2FJ472	1/4W 4.7K	1	
R116	ERD2FVJ560T	1/4W 56	1	△
R117	ERD2FCG100	1/4W 10	1	△
R118-20	ERDS2FJ102	1/4W 1K	3	

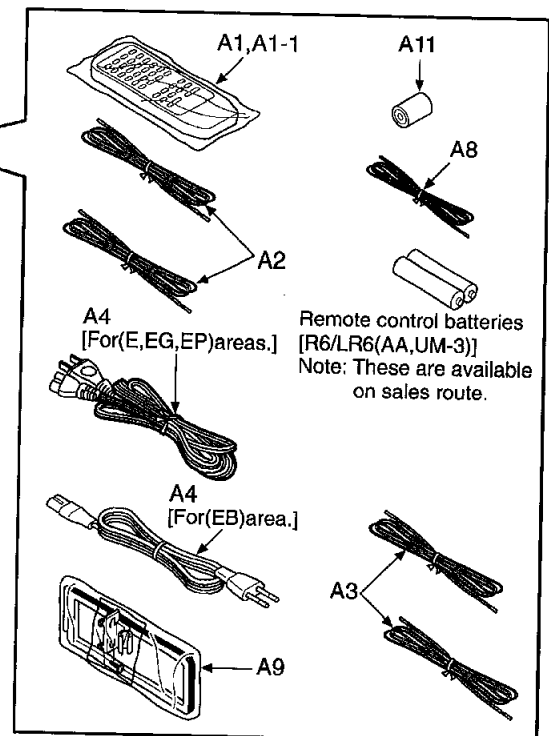
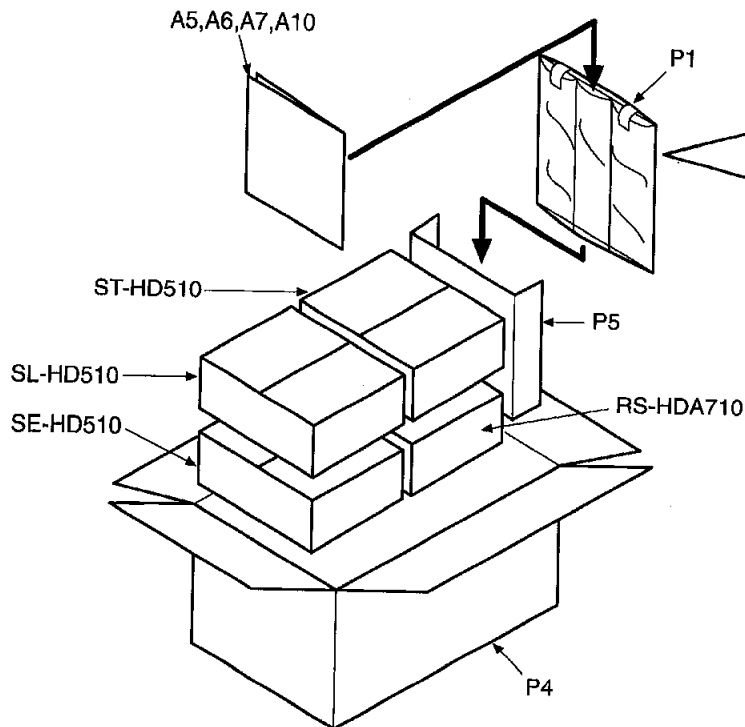
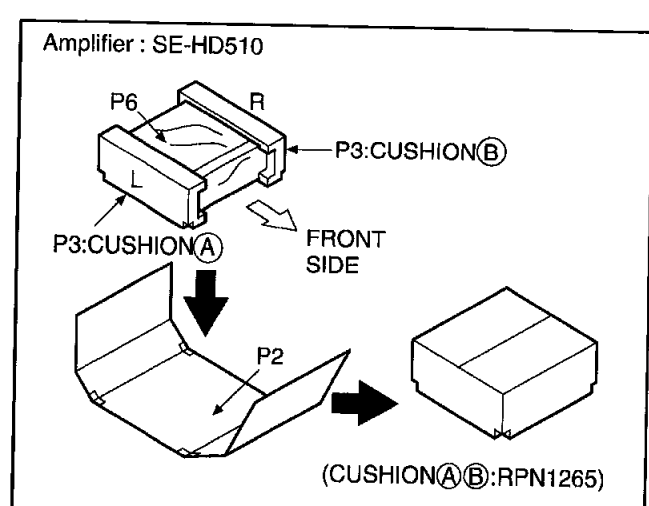
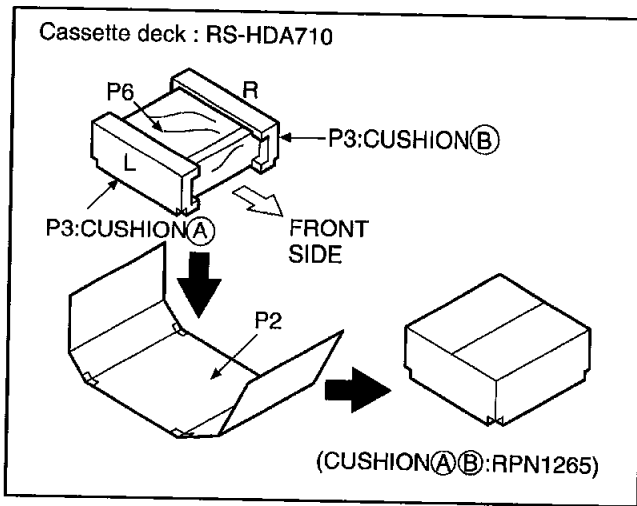
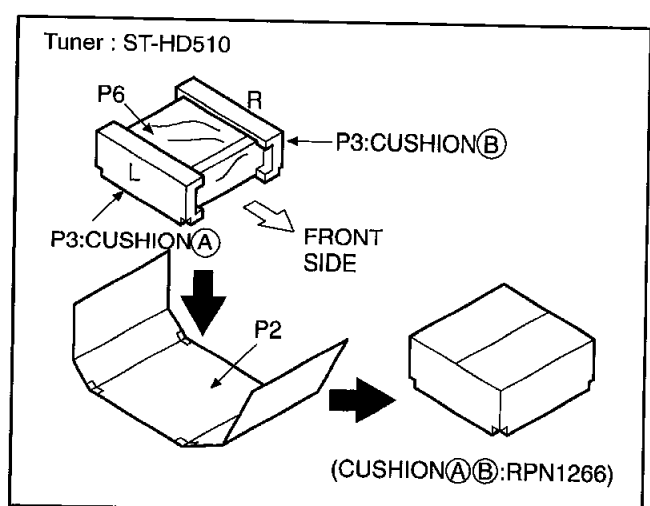
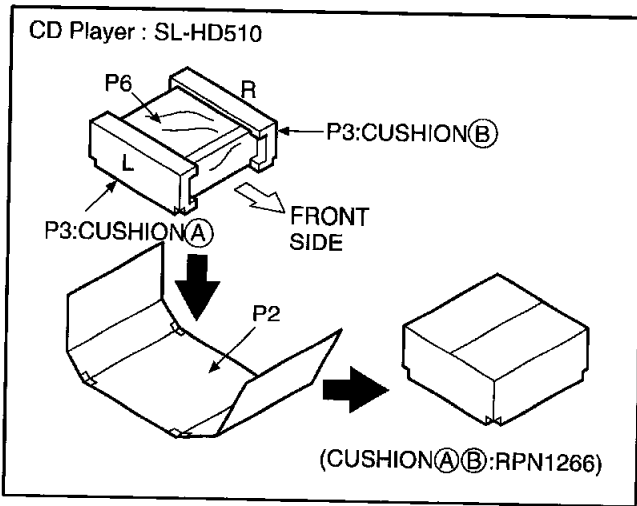
Ref. No.	Part No.	Part Name & Description	Pcs	Remarks
R301	ERDS2FJ821	1/4W 820	1	
R302	ERDS2FJ102	1/4W 1K	1	
R303	ERDS2FJ122	1/4W 1.2K	1	
R306	ERDS2FJ152	1/4W 1.5K	1	
R308	ERDS2FJ102	1/4W 1K	1	
R309,10	ERD25FVJ560T	1/4W 56	2	△
R313,14	ERDS2FJ121	1/4W 120	2	
R315-18	ERDS2FJ470	1/4W 47	4	
R319,20	ERDS2FJ563	1/4W 56K	2	
R321-24	ERDS2FJ123	1/4W 12K	4	
R331,32	ERDS2FJ472	1/4W 4.7K	2	
R333,34	ERDS2FJ121	1/4W 120	2	
R336	ERDS2FJ121	1/4W 120	1	
R337-40	ERDS2FJ470	1/4W 47	4	△
R401,02	ERDS2FJ104	1/4W 100K	2	
R403,04	ERDS2FJ223	1/4W 22K	2	
R405,06	ERDS2FJ821	1/4W 820	2	
R407,08	ERDS2FJ473	1/4W 47K	2	
R411,12	ERDS2FJ223	1/4W 22K	2	
R413-16	ERDS2FJ104	1/4W 100K	4	
R417,18	ERDS2FJ333	1/4W 33K	2	
R419,20	ERDS2FJ152	1/4W 1.5K	2	
R423,24	ERDS2FJ331	1/4W 330	2	
R501,02	ERDS2FJ223	1/4W 22K	2	
R504	ERDS2FJ105	1/4W 1M	1	
R505-08	ERDS2FJ103	1/4W 10K	4	
R509,10	ERDS2FJ104	1/4W 100K	2	
R511,12	ERDS2FJ103	1/4W 10K	2	
R513,14	ERDS2FJ563	1/4W 56K	2	
R515	ERDS2FJ334	1/4W 330K	1	
R516	ERDS1FJ331	1/2W 330	1	△
R517,18	ERDS2FJ2R2	1/4W 2.2	2	△
R519,20	ERDS2FJ563	1/4W 56K	2	
R521	ERDS2FJ684	1/4W 680K	1	
R522	ERDS2FJ473	1/4W 47K	1	
R523,24	ERDS2FJ272	1/4W 2.7K	2	
R525,26	ERDS2FJ100	1/4W 10	2	△
R527,28	ERDS1FJ100	1/2W 10	2	△
R529	ERDS2FJ823	1/4W 82K	1	
R530	ERDS2FJ124	1/4W 120K	1	
R531	ERDS2FJ563	1/4W 56K	1	
R532	ERDS2FJ564	1/4W 560K	1	
R533	ERDS2FJ223	1/4W 22K	1	
R534	ERDS2FJ103	1/4W 10K	1	
R535,36	ERDS2FJ473	1/4W 47K	2	
R537,38	ERDS2FJ222	1/4W 2.2K	2	
R539,40	ERDS2FJ103	1/4W 10K	2	
R541,42	ERDS2FJ104	1/4W 100K	2	
R543,44	ERDS2FJ100	1/4W 10	2	△
R545	ERDS2FJ124	1/4W 120K	1	
R546	ERDS2FJ823	1/4W 82K	1	
R547,48	ERDS1FJ100	1/2W 10	2	△
R549	ERDS2FJ563	1/4W 56K	1	
R550	ERDS2FJ223	1/4W 22K	1	
R551,52	ERX1SJR33	1W 0.33	2	
R553,54	ERDS2FJ103	1/4W 10K	2	
R555,56	ERDS2FJ272	1/4W 2.7K	2	
R557	ERDS2FJ564	1/4W 560K	1	
R559,60	ERDS1FJ471	1/2W 470	2	△
R701	ERDS2FJ102	1/4W 1K	1	
R702	ERDS2FJ392	1/4W 3.9K	1	
R703	ERDS2FJ333	1/4W 33K	1	
R704	ERDS1FJ181	1/2W 180	1	△
R705	ERDS2FJ102	1/4W 1K	1	
R706	ERDS2FJ392	1/4W 3.9K	1	
R707	ERDS2FJ684	1/4W 680K	1	
R708	ERDS2FJ104	1/4W 100K	1	
R709	ERDS2FJ473	1/4W 47K	1	
RL101	RSY0017M-0	RELAY	1	△
RL701	RSY0017M-0	RELAY	1	△
RL702	RSY0040M-0	RELAY	1	△
S301-05	EVQ11G05R	SW, PUSH	5	

Ref. No.	Part No.	Part Name & Description	Pcs	Remarks
VR301	EVEKD2F3024B	V.R., VOLUME	1	
VR401	RRV14F01B54A	V.R., FINE TWEETER CONTROL	1	
Z701	ERZV10V511CS	ZNR	1	△

14 Cabinet Parts Location



15 Packaging





KRI I

Door No.
3

Drop No.
0

Customer: TECHNICA42

Load: SPOWE1

Model:AD0001015C2

Assemble at: 60

Qty:1

05/07/00



51f